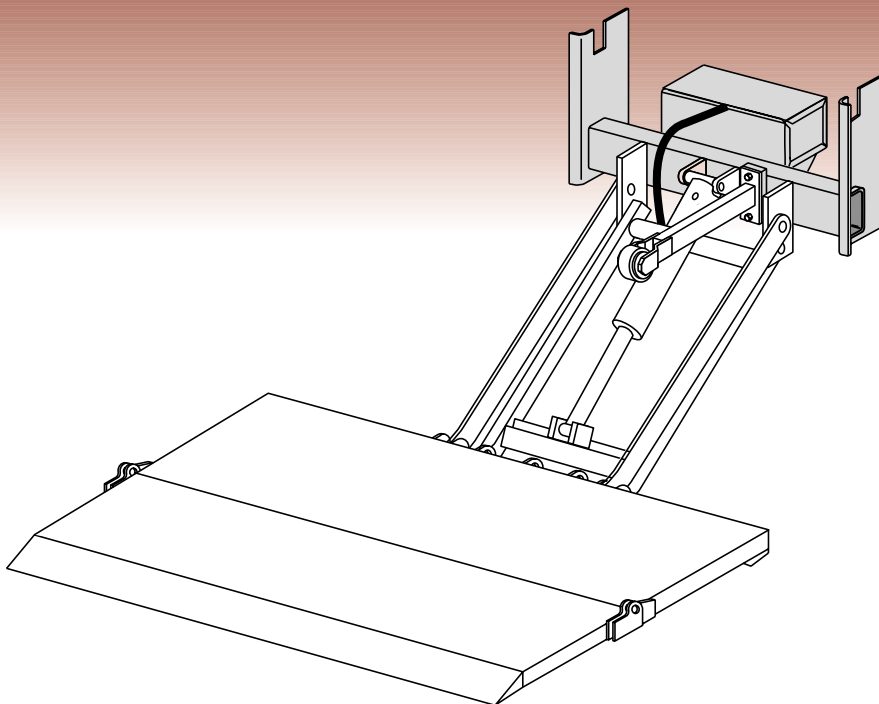


ANTHONY LIFTGATES, INC.

PARTS MANUAL

For AST and ATU Model Tuckunder Liftgates



MODELS

AST-1500-SF

AST-2000-SF

AST-2500-SF

AST-3000-SF

ASTL-1800-SF

ASTL-2500-SF

ATU-1800-SF

ATU-2500-SF

ATU-3000-SF

ATU-3500-SF

ATU-1800LB-SF

ATU-2500LB-SF

ANTHONY
LIFTGATES, INC.®

Anthony Liftgates, Inc.

1037 W. Howard Street • P.O. Box 615 • Pontiac, IL 61764-0615

Ph: 815.842.3383 • Fax: 815.844.3612 • Toll Free: 800.482.0003

www.anthonyliftgates.com

Contents

| | |
|---|----|
| Introduction | 2 |
| Safety | 3 |
| Safety Is Your Responsibility | 3 |
| Nomenclature | 4 |
| Platform Nomenclature | 4 |
| Power Unit Nomenclature | 4 |
| General Information | 5 |
| Platform Measurements | 5 |
| Decals | 5 |
| Ordering Parts | 5 |
| AST and ATU Tuckunder Liftgate Service Parts .. | 6 |
| Power Unit Service Parts | 14 |
| Hydraulic Cylinder Service Parts | 16 |
| A-130113, 3 inch Cylinder 1500, 1800, & 2000 lb Capacity | 16 |
| A-130114, 4 inch Cylinder 2500 lb Capacity | 17 |
| A-130115, 4.5 inch Cylinder 3000 and 3500 lb Capacity | 18 |
| Decals | 20 |

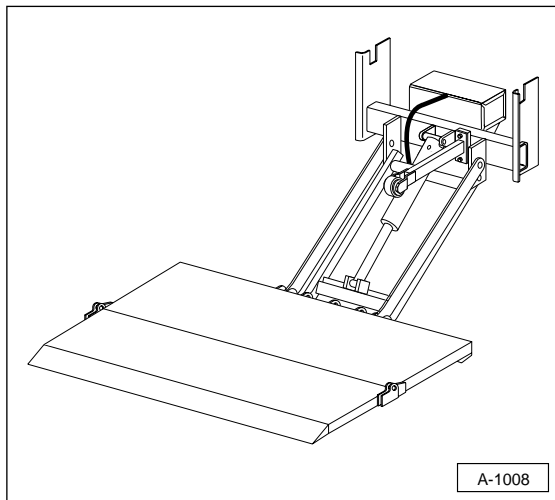
Introduction

Congratulations on selecting an Anthony liftgate. Anthony liftgates are among the finest liftgates available on the market today, and to ensure your liftgate will perform to your expectations we have provided the following manuals, designed to provide you with the necessary instructions and safety precautions to install and operate these models of Anthony Liftgates:

1. Installation, Operation, Troubleshooting, and Maintenance Manual for AST and ATU Model Tuckunder Liftgates - Form No. TU-IO-08/00
2. Parts Manual for AST and ATU Model Tuckunder Liftgates - Form No. TU-P-08/00

This Parts Manual contains part numbers for past and present Anthony liftgates. The parts illustrated in the parts drawings are representative of typical parts used in the actual Tuckunder liftgate and may not look exactly like the part(s) on your liftgate. Part numbers and drawings are subject to change without notice. At the bottom of each page is the Anthony Liftgates Inc. Product Support phone number.

All Anthony Tuckunder model liftgates are factory assembled, tested, and energized to assure the highest quality performance standards. AST and ATU liftgates ship completely assembled on skids for fast, clean, and easy installation.



Safety

Safety Is Your Responsibility

Anthony Liftgates cannot anticipate every possible circumstance that might involve a potential hazard. The warnings in this manual and on the product itself are, therefore, not all inclusive. If tools, procedures, work methods, or operating techniques that are not specifically mentioned by Anthony Liftgates are used, you must satisfy yourself that it is safe for you and for others. Make sure the product or truck the liftgate is mounted onto will not be damaged or made unsafe by any operation, lubrication, maintenance, or repair procedures that you choose.

DO NOT proceed, if any doubt arises about the correct or safe method of performing anything found in this or other Anthony Liftgates manuals. Seek out expert assistance from a qualified person before continuing.

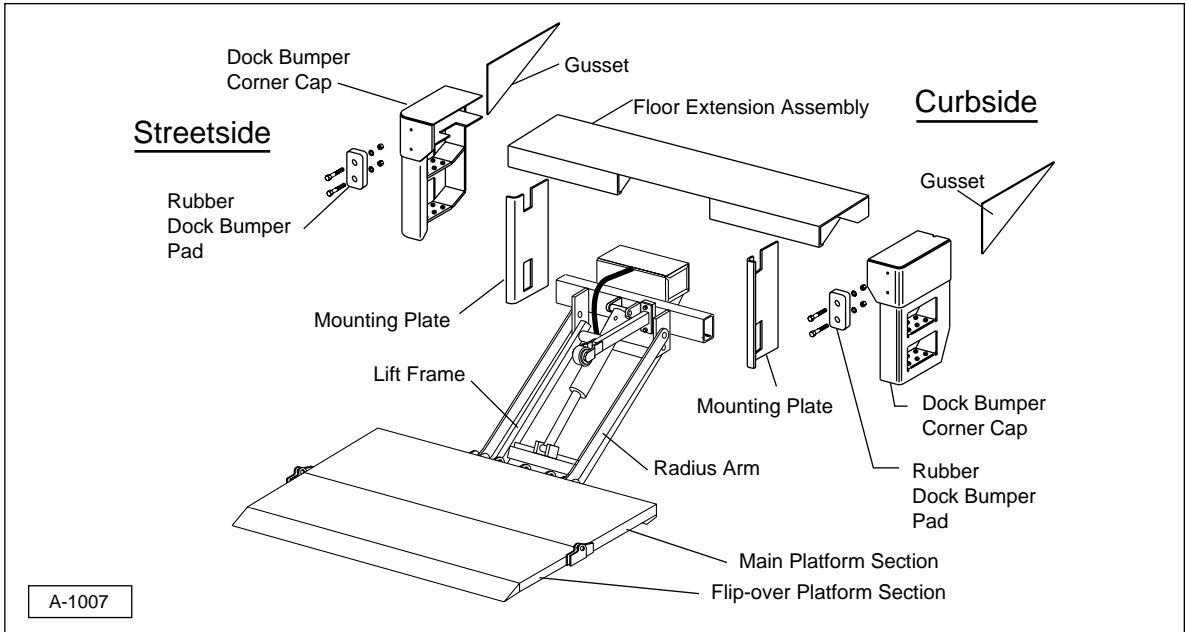
DANGER

To avoid personal injury or death, carefully read and understand all instructions pertaining to the Anthony Liftgates product. Do not attempt to install, operate, or maintain our product without fully understanding all our instructions and safety precautions. Do not operate or work on a truck or liftgate unless you read and understand the instructions and warnings in TU-IO-08/00 Installation, Operation, and Maintenance manual. If any doubt or question arises about the correct or safe method of performing anything found in this or other manuals from Anthony Liftgates, contact your Anthony Liftgates dealer or call the Inside Sales and Service representatives at our main headquarters (815-842-3383). Proper care is your responsibility.

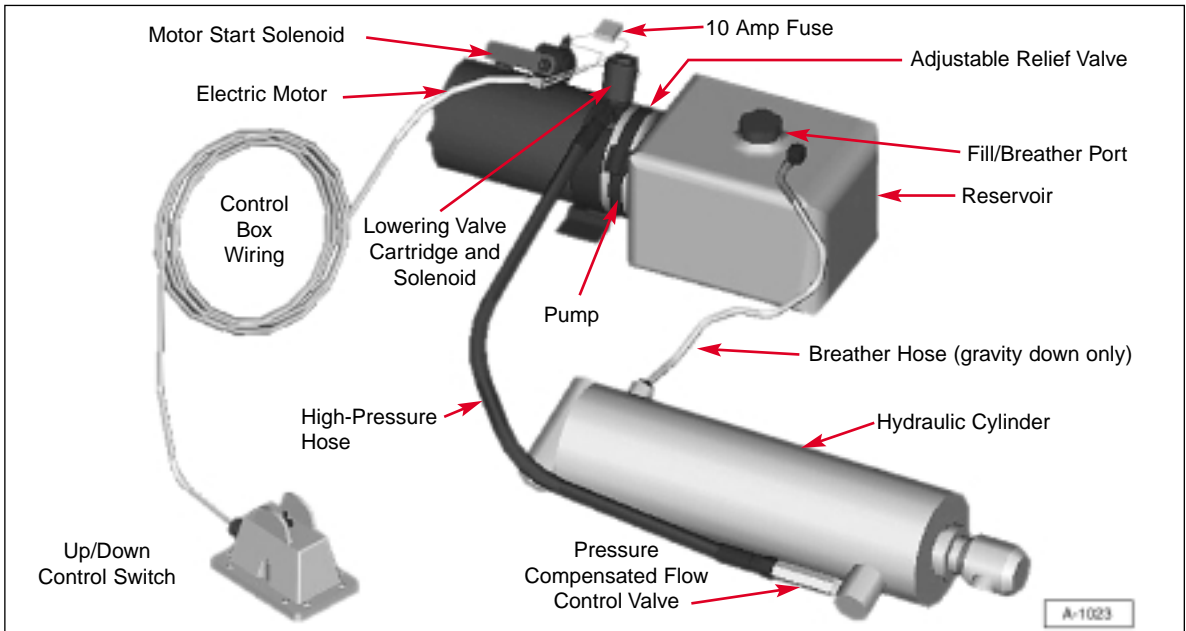
DANGER

Most accidents involving the operation, maintenance, or repair of products made by Anthony Liftgates occur because the owner/operator failed to observe basic safety rules or operating instructions. An accident can often be avoided by being alert and recognizing potentially hazardous situations. Any individuals operating, maintaining, or repairing products manufactured by Anthony Liftgates should have the necessary training, skills, and tools required to perform the functions properly and safely. The safety information in this manual serves as a basic guide in an attempt to prevent injury or death.

Nomenclature



Platform nomenclature.

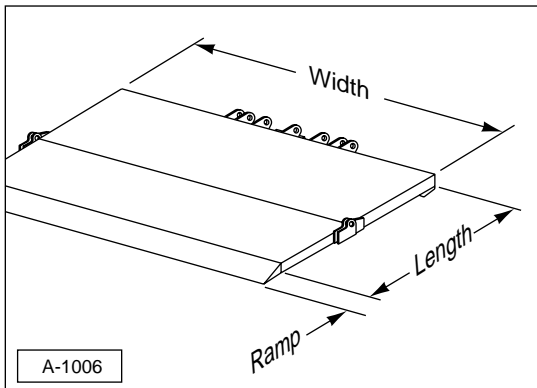


Power unit nomenclature.

General Information

Platform Measurements

The measurements listed in items (41), (43), and (44) in the Tuckunder Liftgate Service Parts chart represent the overall size of the liftgate platform and not the size of the individual part. The width is listed first, followed by the length. The final number, (+5) for example, is the length of the ramp. Compare the measurements of your liftgate with the measurements listed in this parts manual to determine the correct replacement part(s). Also take into consideration the model number, if listed, when ordering parts.



Width x Length + Ramp

Decals

⚠ DANGER

Make sure all decals are attached to the liftgate and/or truck and are legible at all times.

Safety decals provide a vital role in helping to reduce injuries or possibly even death. To ensure the greatest level of safety, all decals must be in place and legible at all times. Remember, it is the users responsibility to maintain these decals. For a complete list and illustration of the decals used on the Tuckunder liftgate, refer to the Decals section in this manual.

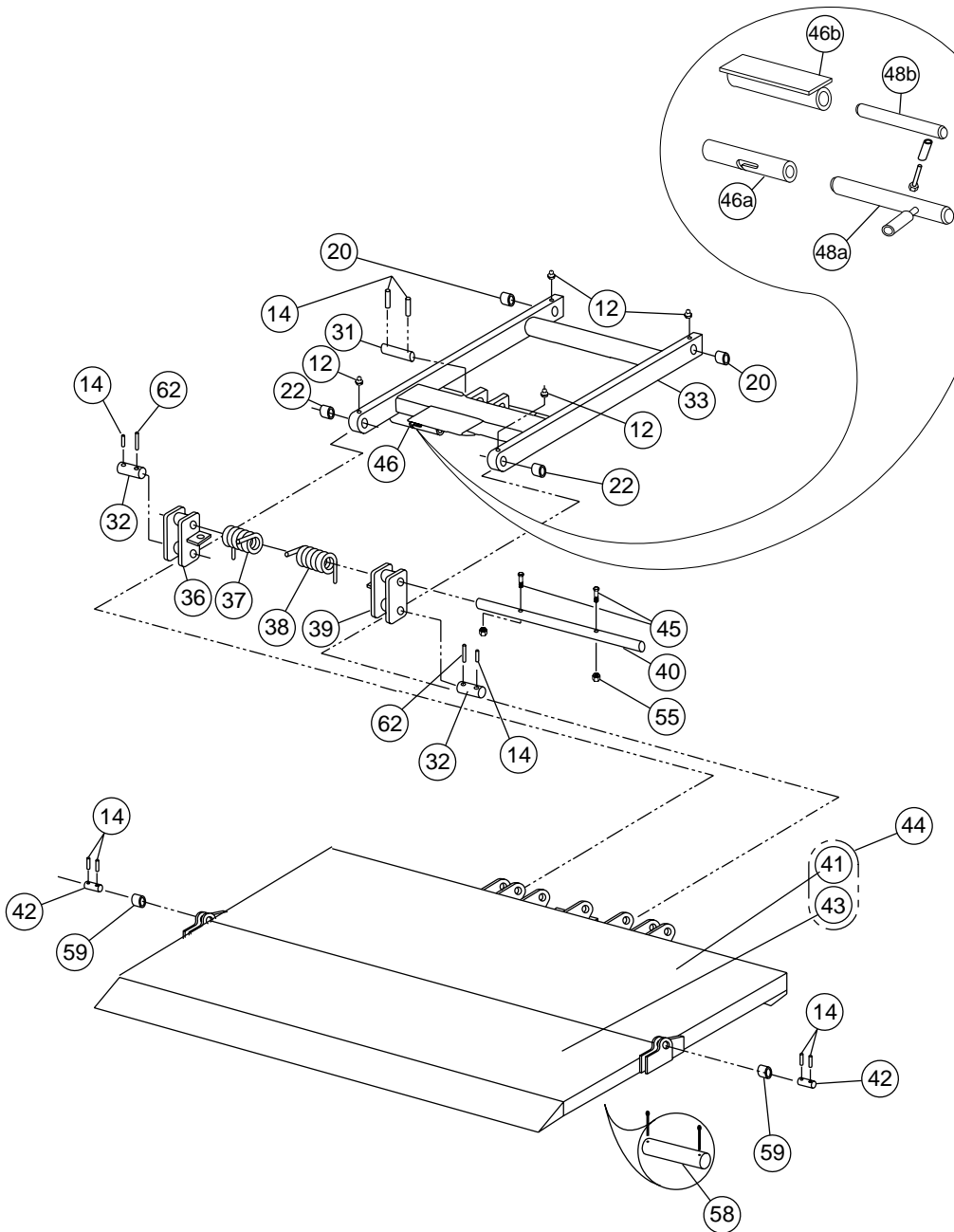
For replacement decals contact:
Anthony Liftgates, Inc.
1037 West Howard Street
Pontiac, Illinois 61764
(815) 842-3383
www.anthonyliftgates.com

Ordering Parts

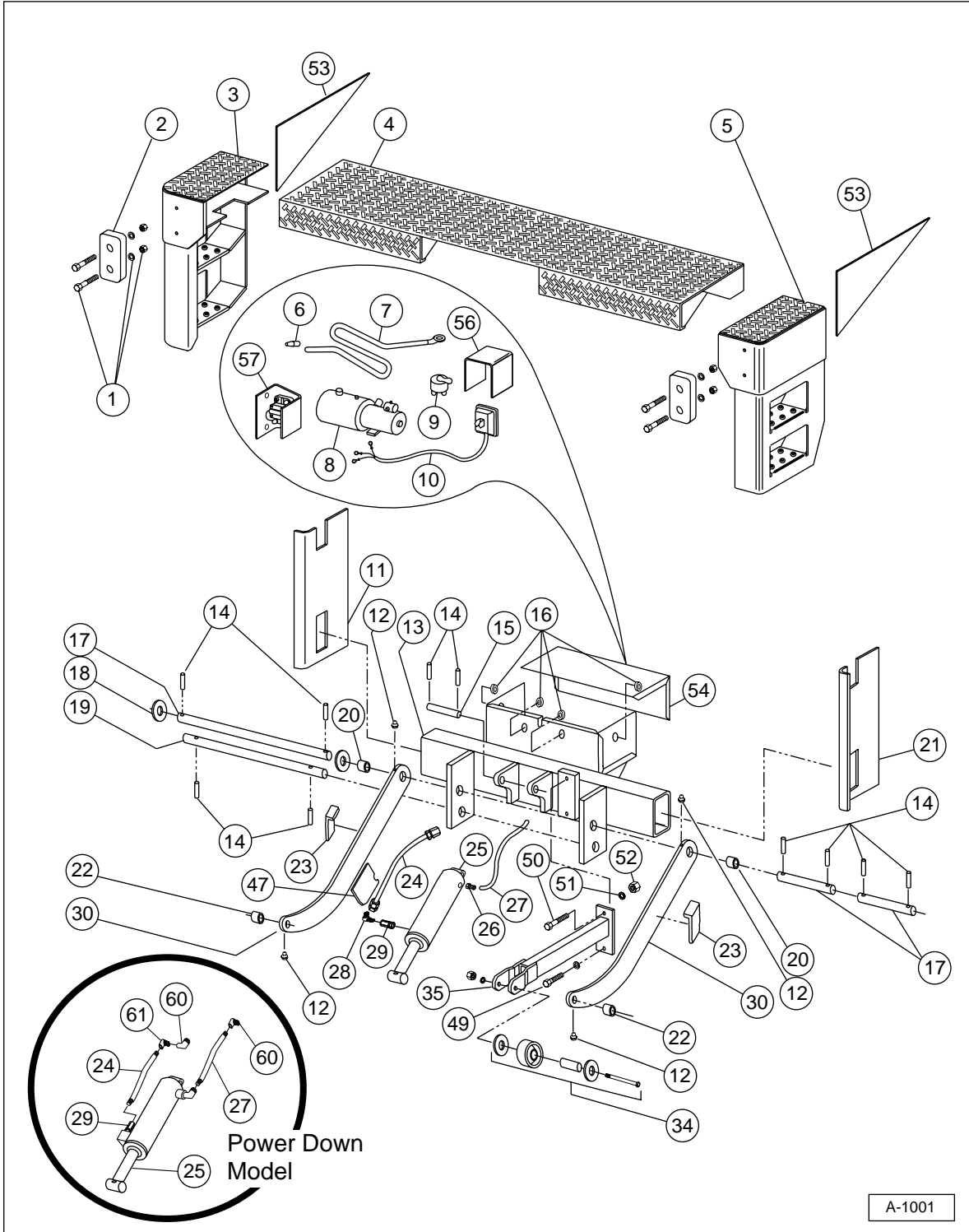
We manufacturer a quality liftgate that requires very little maintenance or repair. However, should a part break or become damaged our knowledgeable staff can make sure you receive the part(s) to put your liftgate back into operation.

For questions or to order parts, contact:
Anthony Liftgates, Inc.
1037 West Howard Street
Pontiac, Illinois 61764
(815) 842-3383
www.anthonyliftgates.com

AST and ATU Tuckunder Liftgate Service Parts



A-1002



AST and ATU Tuckunder Liftgate Service Parts

| Item | Part No. | Description | Qty. |
|----------|----------------------------|---|------|
| 1 | ATU-119 | Rubber Dock Bumper Bolt Kit | 1 |
| 2 | ATU-126 | Rubber Dock Bumper | 2 |
| 3 | ATU-390 | Dock Bumper Corner Cap (Left, Streetside) | 1 |
| 4 | ATU-108 | Floor Extension Assembly for 96 inch wide bodies | 1 |
| | ATU-494 | Floor Extension Assembly for 102 inch wide bodies | |
| 5 | ATU-389 | Dock Bumper Corner Cap (Right, Curbside) | 1 |
| 6 | ATU-128 | Power Cable Lug | 1 |
| 7 | ATU-127 | Power Cable, #2 Gauge (27 feet long) | 1 |
| 8 | A-130116 | Power Unit (Gravity Down) | 1 |
| | A-130117 | Power Unit (Power Down) | |
| | A-130118 | Power Unit (Gravity Down with Thermal Switch) | |
| | A-130119 | Power Unit (Power Down with Thermal Switch) | |
| 9 | A-150031 | Power Cut-Off Switch (Recommended Option) | 1 |
| 10 | ATU-101 | Control with Cable (Gravity Down, Push Button) | 1 |
| | ATU-101 P.D. | Control with Cable (Power Down, Push Button) | |
| | ATU-393 | Control with Cable (Gravity Down, Toggle Switch) | |
| | ATU-396 | Control with Cable (Power Down, Toggle Switch) | |
| | ATU-136 | Control without Cable (Gravity Down, Push Button) | |
| | ATU-136 P.D. | Control without Cable (Power Down, Push Button) | |
| | ATU-392 | Control without Cable (Gravity Down, Toggle Switch) | |
| | ATU-395 | Control without Cable (Power Down, Toggle Switch) | |
| | ATU-165 | Control Box only (For Two Push Buttons, No Switch) | |
| | ATU-394 | Control Box only (For Toggle Switch, No Switch) | |
| | ATU-307 | Toggle Switch (Gravity Down) | |
| A-150477 | Toggle Switch (Power Down) | | |
| 11 | ATU-057-L | Mounting Plate (Left, Streetside) | 1 |
| 12 | ATU-059 | Grease Fitting, (Used prior to S/N 19600, not used on "Service-Free" series) | 9 |
| 13 | ATU-180 | Adapter Frame (1500, 1800, 2000, and 2500) | 1 |
| | ATU-181 | Adapter Frame (3000 and 3500) | |
| 14 | ATU-058 | Roll Pin, 1/4 x 1-3/4 inch | 15 |
| | A-150023 | Retaining Ring, 5/8 inch (Aluminum Platform Only), Flip-Over section hinge pins | 4 |
| 15 | ATU-102 | Cylinder Pin, Upper (1500, 1800, 2000, and 2500) | 1 |
| | ATU-118 | Cylinder Pin, Upper (3000 and 3500) | |

| Item | Part No. | Description | Qty. |
|------|-----------|---|---------------------------------|
| 16 | ATU-137 | Grommet for Pump Box | 4 |
| 17 | ATU-112 | Radius Arm Pin (1500, 1800, 2000, and 2500), Long | 1 |
| | ATU-117 | Radius Arm Pin (3000 and 3500), Short | 2 |
| 18 | ATU-134 | Washer | 12 |
| 19 | ATU-111 | Lift Frame Pin | 1 |
| 20 | ATU-150 | Bushing (1500 and 2000) AST only | 4 (2 on Service-Free models) |
| | ATU-149 | Bushing (2500, 3000, and 3500) AST only | |
| | ATU-430 | Bushing (Plastic) ATU-1800 only | |
| | ATU-428 | Bushing (Plastic) ATU-2500, 3000, and 3500 only | |
| 21 | ATU-057-R | Mounting Plate (Right, Curbside) | 1 |
| 22 | ATU-148 | Bushing (1500 and 2000) AST only | 4 |
| | A-162010 | Bushing (2500, 3000 and 3500) AST only | |
| | ATU-429 | Bushing (Plastic) ATU-1800 only | |
| | ATU-426 | Bushing (Plastic) ATU-2500, 3000, and 3500 only | |
| 23 | ATU-086 | Platform Support | 2 |
| 24 | ATU-129 | High-Pressure Hose (For Pipe Threads), (Used prior to S/N 35000) | 1 |
| | A-130112 | High-Pressure Hose (Power Down, with SAE #6 threads) Used after S/N 35000 | |
| | A-130110 | High-Pressure Hose (Gravity Down, with SAE #6 threads) Used after S/N 35000 | |
| 25 | A-130113 | Cylinder (1500, 1800, and 2000) SAE #6 ports | 1 |
| | A-130114 | Cylinder (2500) SAE #6 ports | |
| | A-130115 | Cylinder (3000 and 3500) SAE #6 ports | |
| 26 | ATU-124 | Return Hose Fitting (Used prior to S/N 35000) | 2 |
| | A-130143 | Fitting, Barbed (Male SAE #6 to 3/16 Barb) Used in Cylinder Port of Gravity Down model. (Used after S/N 35000) | 1 |
| 27 | ATU-125 | Zero-Pressure Return Hose (Gravity Down) | 1 |
| | A-130111 | High-Pressure Hose (Power Down, 19 inches long, with SAE #6 threads) | |
| 28 | ATU-179 | High-Pressure Elbow (Pipe Threads) (Used prior to S/N 35000, not used after 35000) | 2 |
| 29 | A-150035 | Control Flow Valve (1500, 1800, and 2000) (Used prior to S/N 35000) | 1 |
| | A-150038 | Control Flow Valve (2500, 3000, and 3500) (Used prior to S/N 35000) | |
| | A-130100 | Control Flow Valve (1500, 1800, and 2000) (Used after S/N 35000) | |
| | A-130101 | Control Flow Valve (2500) (Used after S/N 35000) | |
| | A-130102 | Control Flow Valve (3000 and 3500) (Used after S/N 35000) | |

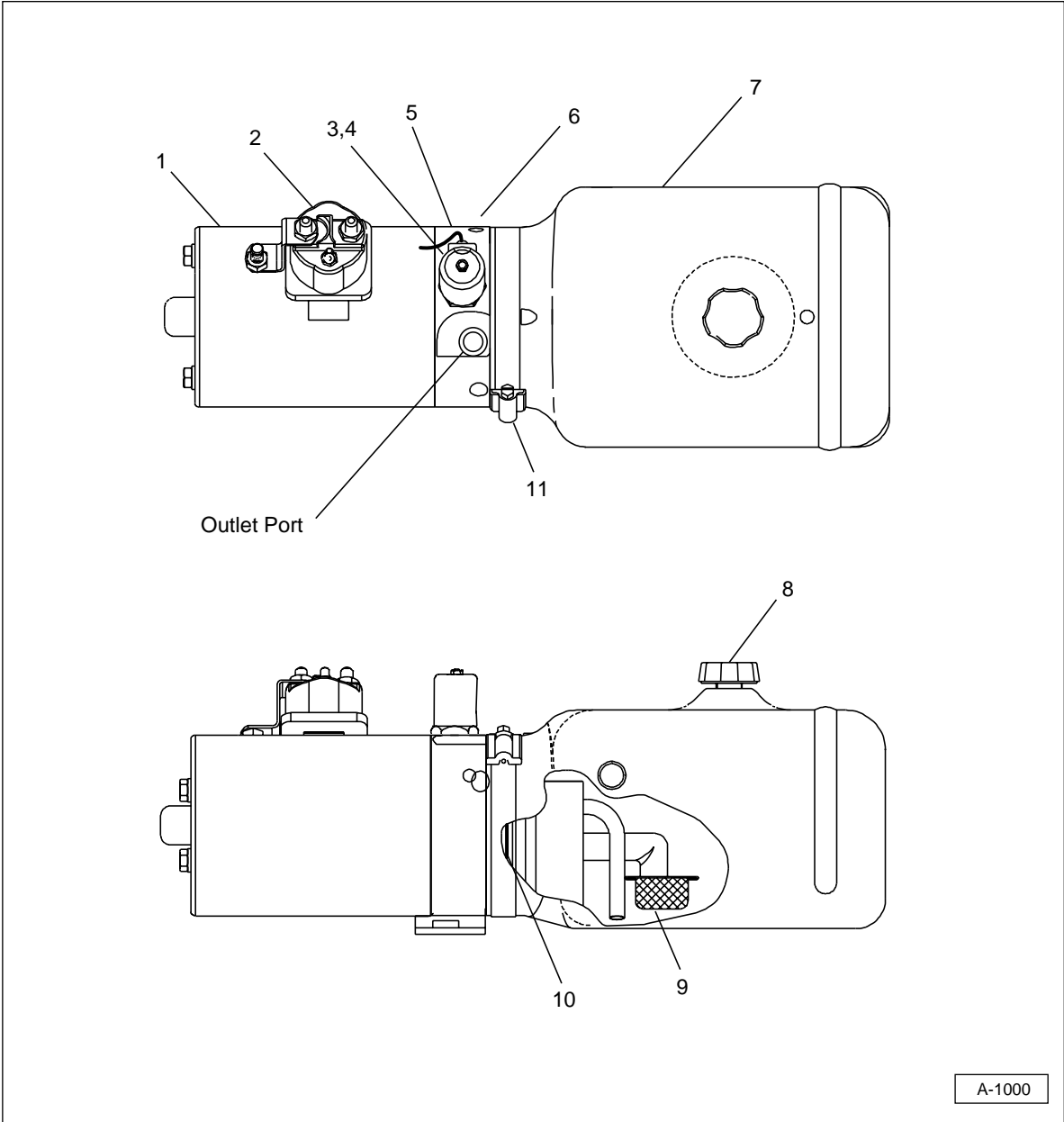
| Item | Part No. | Description | Qty. | |
|------|-----------|--|-------------------------------------|---|
| 30 | ATU-189 | Radius Arm, 3/4 inch (1500, 1800, and 2000) | 2 | |
| | ATU-190 | Radius Arm, 3/4 inch with Bushings (1500,1800, and 2000) | | |
| | ATU-191 | Radius Arm, 1 inch (2500, 3000, and 3500) | | |
| | ATU-192 | Radius Arm, 1 inch with Bushings (2500, 3000, and 3500) | | |
| 31 | ATU-103 | Cylinder Pin, Rod End | 1 | |
| 32 | ATU-105 | Cam Plate Pins | 2 | |
| 33 | ATU-183 | Lift Frame (1500, 1800, and 2000) | 1 | |
| | ATU-184 | Lift Frame with Bushings (1500, 1800, and 2000) | | |
| | ATU-185 | Lift Frame (2500) | | |
| | ATU-186 | Lift Frame with Bushings (2500) | | |
| | ATU-187 | Lift Frame (3000 and 3500) | | |
| | ATU-188 | Lift Frame with Bushings (3000 and 3500) | | |
| 34 | ATU-123 | Roller Wheel Assembly | 1 | |
| 35 | ATU-243 | Wheel Arm, Bolt-On Type (After Sept. 1990) | 1 | |
| | ATU-182 | Wheel Arm, Pin-On Type (Before Sept. 1990) | | |
| 36 | ATU-107-L | Cam, Standard (Left, Streetside) | 1 | |
| | ATU-208 | Cam for Low Boy and 72 x 34 + 7 Aluminum (Left, Streetside) | | |
| | ATU-591 | Cam for 80 x 45 + 6 Aluminum (Left, Streetside) | | |
| 37 | ATU-100-L | Assist Spring (Left, Streetside) | 1 | |
| 38 | ATU-100-R | Assist Spring (Right, Curbside) | 1 | |
| 39 | ATU-107-R | Cam, Standard (Right, Curbside) | 1 | |
| | ATU-207 | Cam for Low Boy and 72 x 34 + 7 Aluminum (Right, Curbside) | | |
| | ATU-590 | Cam for 80 x 45 + 6 Aluminum (Right, Curbside) | | |
| 40 | ATU-104 | Pin, Platform and Cams | 1 | |
| 41 | ATU-110 | Platform Main Section (ATU-1800 and 2500) | makes 80 x 34 + 7 or 80 x 38 + 5 | 1 |
| | ATU-152 | Platform Main Section (ATU-3000) | makes 80 x 34 + 7 or 80 x 38 + 5 | |
| | ATU-193 | Platform Main Section (ATU-3500) | makes 80 x 34 + 7 or 80 x 38 + 5 | |
| | ATU-220 | Platform Main Section (CM) | makes 80 x 40 | |
| | ATU-256 | Platform Main Section (AST) | makes 72 x 34 + 7 | |
| | ATU-316 | Platform Main Section (UCM) | makes 80 x 45 | |
| | ATU-470 | Platform Main Section (Low Boy and ASTL) (Replaced by ATU-536) | makes 72 x 29 + 5 | |
| | ATU-536 | Platform Main Section (Low Boy and ASTL) | makes 72 x 32 + 5 | |

| Item | Part No. | Description | Qty. |
|------|----------|--|------|
| 41 | A-150228 | Platform Main Section (Aluminum) makes 72 x 34 +7 | 1 |
| | A-150665 | Platform Main Section (Aluminum) makes 80 x 45 +6 | |
| 42 | ATU-135 | Platform Flip-Over Pin | 2 |
| | A-150036 | Pin, 5/8 inch (Aluminum Platforms Only) | |
| 43 | ATU-109 | P/F Flip-Over Section (ATU-1800 and 2500) makes 80 x 34 + 7 | 1 |
| | ATU-151 | P/F Flip-Over Section (ATU-3000 and 3500) makes 80 x 34 + 7 | |
| | ATU-221 | P/F Flip-Over Section (CM) makes 80 x 40 | |
| | ATU-224 | P/F Flip-Over Section makes 80 x 42 + 5 | |
| | ATU-255 | P/F Flip-Over Section (AST, Tuckunder) makes 72 x 34 + 7 | |
| | ATU-317 | P/F Flip-Over Section (UCM) makes 80 x 45 | |
| | ATU-354 | P/F Flip-Over Section (Wedge) makes 80 x 44 inch | |
| | ATU-436 | P/F Flip-Over Section (ATU-1800 and 2500) makes 80 x 38 + 5 | |
| | ATU-437 | P/F Flip-Over Section (ATU-3000 and 3500) makes 80 x 38 + 5 | |
| | ATU-469 | P/F Flip-Over Section makes 72 x 29 + 5 (Low Boy and ASTL Tuckunder) (Replaced by ATU-537) | |
| | ATU-537 | P/F Flip-Over Section makes 72 x 32 + 5 (Low Boy and ASTL Tuckunder) | |
| | A-150229 | P/F Flip-Over Section (Aluminum) makes 72 x 34 + 7 | |
| | A-150666 | P/F Flip-Over Section (Aluminum) makes 80 x 45 + 6 | |
| 44 | ATU-132 | Platform, Complete (ATU-1800 and 2500) 80 x 34 + 7 ATU-110 Platform Main Section ATU-109 Flip-Over Section | 1 |
| | ATU-153 | Platform, Complete (ATU-3000) 80 x 34 + 7 ATU-152 Platform Main Section ATU-151 Flip-Over Section | |
| | ATU-194 | Platform, Complete (ATU-3500) 80 x 34 +7 ATU-193 Platform Main Section ATU-151 Flip-Over Section | |
| | ATU-223 | Platform, Complete (CM) 80 x 40 + 11 ATU-220 Platform Main Section ATU-221 Flip-Over Section | |
| | ATU-226 | Platform, Complete 80 x 42 + 5 ATU-110 Platform Main Section ATU-224 Flip-Over Section | |
| | ATU-257 | Platform, Complete (AST, Tuckunder) 72 x 34 +7 ATU-256 Platform Main Section ATU-255 Flip-Over Section | |
| | ATU-315 | Platform, Complete (UCM) 80 x 45 +16 ATU-316 Platform Main Section ATU-317 Flip-Over Section | |

| Item | Part No. | Description | Qty. |
|------|----------|--|------------------|
| 44 | ATU-440 | Platform, Complete (1800 and 2500) ATU-110 Platform Main Section ATU-436 Flip-Over Section | 80 x 38 + 5 1 |
| | ATU-441 | Platform, Complete (3000 and 3500) ATU-152 Platform Main Section or ATU-193 Platform Main Section ATU-437 Flip-Over Section | 80 x 38 + 5 |
| | ATU-471 | Platform, Complete (Low Boy and ASTL) Replaced by ATU-535 | 72 x 29 + 5 |
| | ATU-535 | Platform, Complete (Low Boy and ASTL) ATU-536 Platform Main Section ATU-537 Flip-Over Section | 72 x 32 + 5 |
| | A-150223 | Platform, Complete (Aluminum) A-150228 Platform Main Section A-150229 Flip-Over Section | 72 x 34 + 7 |
| | A-150673 | Platform, Complete (Aluminum) A-150665 Platform Main Section A-150666 Flip-Over Section | 80 x 45 + 6 |
| 45 | ATU-358 | Bolt and Decal | 2 |
| 46 | ATU-169 | Latch Tube Weldment (Old Style) | 1 |
| | ATU-559 | Latch Tube (New Style) | |
| 47 | ATU-558 | Latch Plate (New Style) | 1 |
| 48 | ATU-195 | Pin, Handle, and Bolt (Old Style, Used with ATU-169) | 1 |
| | ATU-556 | Latch Pin (New Style, Used with ATU-559) | |
| | ATU-557 | Latch Handle (New Style, Used with ATU-559) | |
| 49 | ATU-260 | Bolt | 1 |
| 50 | ATU-259 | Bolt | 1 |
| 51 | 1691 | Lock Washer | 2 |
| 52 | 3139 | Nut | 1 |
| 53 | ATU-200 | Gusset | 2 |
| 54 | — | Pump Box with Removable Cover (24 x 8 x 8 inch) | 1 |
| | ATU-586 | Complete Box, Hingeless | — |
| | ATU-533 | Cover Only, Hingeless | — |
| | ATU-350 | Pump Box with Hinged Lid (24 x 8 x 8 inch) | 1 |
| 55 | ATU-359 | Lock Nut | 2 |
| 56 | ATU-235 | Control Box Cover Plate (Optional) | — |
| 57 | A-150495 | 150 Amp Circuit Breaker | 1 |
| | A-150500 | Bracket | 1 |

| Item | Part No. | Description | Qty. |
|-------------|-----------------|--|-------------|
| 58 | A-150025 | Platform Support Pin (1-1/4 inch) Aluminum Platforms Only [Located under main platform section, secured by 4 (2 each) cotter pins] | 2 |
| 59 | A-150029 | Bearing, Main Platform Hinge, 1 inch long (Aluminum Platforms Only) | 2 |
| | A-150030 | Bearing, Flip-Over Hinge 1/2 inch long (Aluminum Platforms Only) | 4 |
| 60 | A-130140 | Elbow, 90 degree for Power Unit (Male SAE #6 to Male JIC #6) Requires 1 for gravity down model and 2 for power down model. | — |
| | A-130149 | Elbow, 90 degree (Male SAE #6 to 3/8 NPT Female Swivel) Used to retrofit SAE #6 pump threads to hose with pipe threads. | 1 |
| 61 | A-130142 | Elbow, 90 degree (Female JIC #6 to Male JIC #6) Used with A-130140 Elbow on Power Down model. | 1 |
| 62 | S-070011 | Roll Pin, 1/4" diameter | 2 |

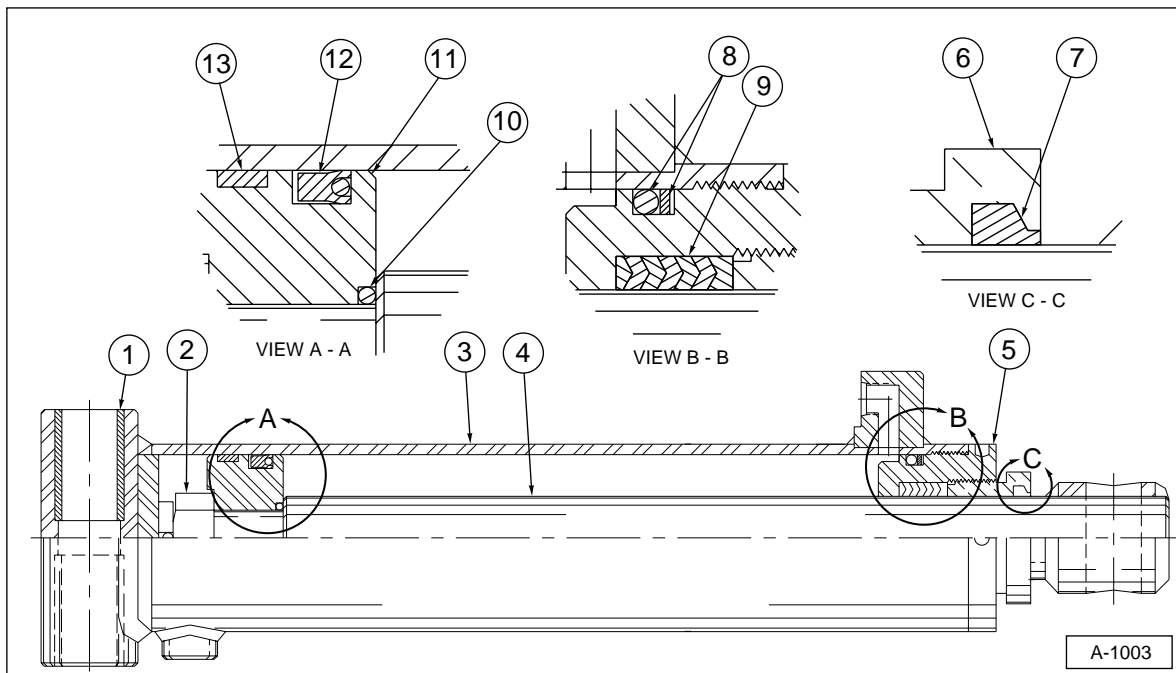
Power Unit Service Parts



Monarch, gravity down, pump shown above.

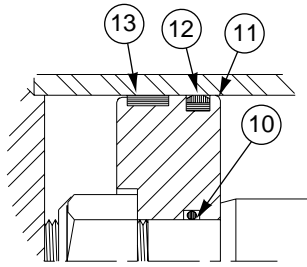
| Power Unit Service Parts | | | |
|------------------------------|-----------|------------------------------|---------|
| Item | Part No. | Description | Remarks |
| Monarch Service Parts | | | |
| 1 | A-150018 | Motor | |
| 2 | ATU-120 | Motor Start Solenoid | |
| 3 | ATU-121 | Lowering Valve with Coil | |
| | A-150617 | Lowering Valve (Power Down) | |
| 4 | ATU-122 | Coil (Lowering Valve) | |
| 5 | — | Pump | |
| 6 | — | Adjustable Relief Valve | |
| 7 | A-150635 | Plastic Reservoir | |
| 8 | A-150546 | Plastic Reservoir Cap | |
| 9 | — | Plastic Reservoir Filter | |
| 10 | A-150019 | O-ring for Plastic Reservoir | |
| 11 | ATU-565 | Plastic Reservoir Clamp | |
| Fenner Service Parts | | | |
| 1 | A-150265 | Motor | |
| 2 | ATU-120 | Motor Start Solenoid | |
| 3 | ATU-479 | Lowering Valve with Coil | |
| | A-150617 | Lowering Valve (Power Down) | |
| 4 | ATU-491 | Coil (Lowering Valve) | |
| 5 | — | Pump | |
| 6 | — | Adjustable Relief Valve | |
| 7 | A-150504 | Plastic Reservoir | |
| 8 | A-150615 | Plastic Reservoir Cap | |
| 9 | — | Plastic Reservoir Filter | |
| 10 | AR-18-241 | O-ring for Plastic Reservoir | |
| 11 | ATU-565 | Plastic Reservoir Clamp | |

Hydraulic Cylinder Service Parts

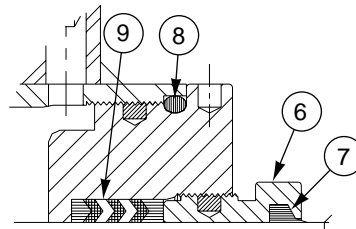


**A-130113, 3 inch Cylinder
1500, 1800, and 2000 lb Capacity Tuckunder Parts List**

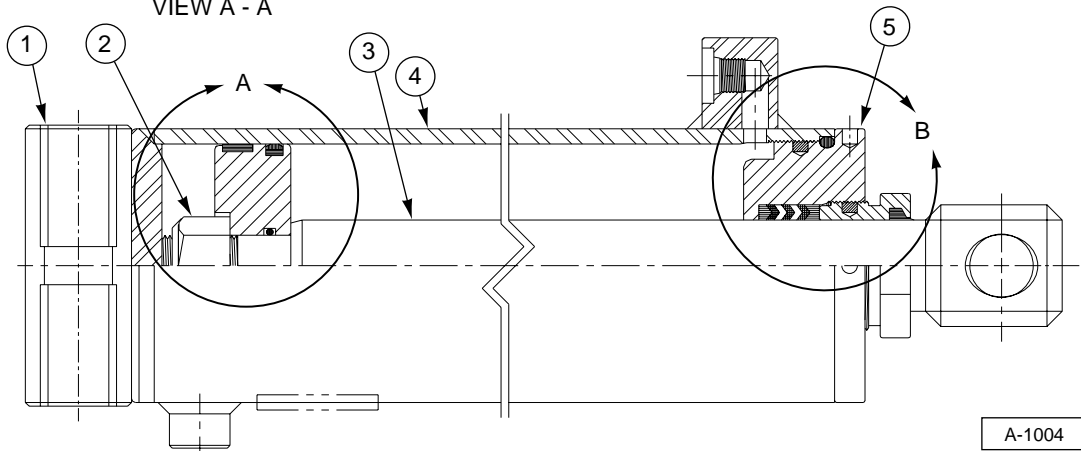
| Item | Part No. | Description | Qty | Remarks |
|------|--------------|---|-----|------------------|
| 1 | ATU-427 | Bushing | 2 | |
| 2 | ATU-25112 | Piston Nut | 1 | |
| 3 | ATU-25102 | Tube Assembly | 1 | |
| 4 | ATU-25101 | Rod Assembly | 1 | |
| 5 | ATU-25103 | Cylinder End Cap | 1 | |
| 6 | ATU-25104 | Packing Gland Nut | 1 | |
| 7 | — | Rod Wiper | 1 | Part of Seal Kit |
| 8 | — | End Cap Seal & Backup Washer | 1 | Part of Seal Kit |
| 9 | — | Packing Set | 1 | Part of Seal Kit |
| 10 | — | Piston O-ring | 1 | Part of Seal Kit |
| 11 | ATU-25111 | Piston | 1 | |
| 12 | — | Piston Seal | 1 | Part of Seal Kit |
| 13 | — | Wear Ring | 1 | Part of Seal Kit |
| — | ATU-25113 | Seal Kit (prior to 3/28/89) | — | |
| — | ATU-25113-WR | Seal Kit with Wear Rings (after 3/28/89) | — | |



VIEW A - A



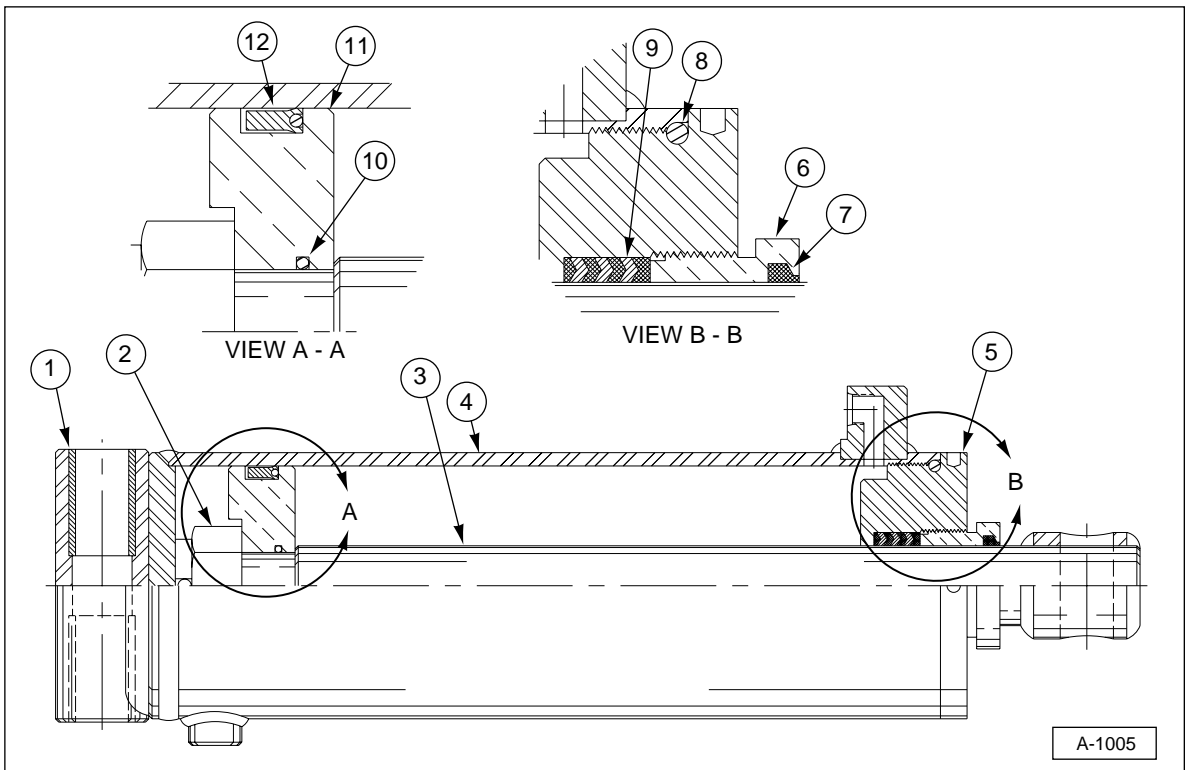
VIEW B - B



A-1004

**A-130114, 4 inch Cylinder
2500 lb Capacity Tuckunder Parts List**

| Item | Part No. | Description | Qty | Remarks |
|------|--------------|--|-----|------------------|
| 1 | ATU-427 | Bushing | 2 | |
| 2 | ATU-50117 | Piston Nut | 1 | |
| 3 | ATU-50112 | Tube Assembly | 1 | |
| 4 | ATU-50122 | Rod Assembly | 1 | |
| 5 | ATU-50125 | Cylinder End Cap | 1 | |
| 6 | ATU-50115 | Packing Gland Nut | 1 | |
| 7 | ATU-50116 | Wiper | 1 | Part of Seal Kit |
| 8 | ATU-50124 | O-ring Seal | 1 | Part of Seal Kit |
| 9 | ATU-50114 | Packing Set | 1 | Part of Seal Kit |
| 10 | ATU-50121 | Piston O-ring | 1 | Part of Seal Kit |
| 11 | ATU-50120 | Piston | 1 | |
| 12 | — | Piston Seal | 1 | Part of Seal Kit |
| 13 | — | Wear Ring | 1 | Part of Seal Kit |
| — | ATU-50123 | Seal Kit (prior to 3/28/89) | | |
| — | ATU-50123-WR | Seal Kit with Wear Rings (after 3/28/89) | | |



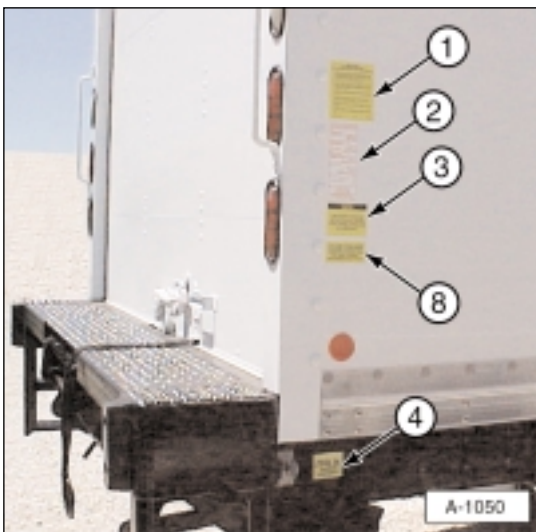
**A-130115, 4.5 inch Cylinder
3000 and 3500 lb Capacity Tuckunder Parts List**

| Item | Part No. | Description | Qty | Remarks |
|------|-----------|-------------------|-----|------------------|
| 1 | ATU-427 | Bushing | 2 | |
| 2 | ATU-75101 | Piston Nut | 1 | |
| 3 | ATU-75106 | Tube Assembly | 1 | |
| 4 | ATU-75105 | Rod Assembly | 1 | |
| 5 | ATU-75109 | Cylinder End Cap | 1 | |
| 6 | ATU-75110 | Packing Gland Nut | 1 | |
| 7 | ATU-75111 | Rod Wiper | 1 | Part of Seal Kit |
| 8 | ATU-75108 | End Cap O-ring | 1 | Part of Seal Kit |
| 9 | ATU-75107 | Packing Set | 1 | Part of Seal Kit |
| 10 | ATU-75104 | Piston O-ring | 1 | Part of Seal Kit |
| 11 | ATU-75102 | Piston | 1 | |
| 12 | ATU-75103 | Piston Seal | 1 | Part of Seal Kit |
| — | ATU-75112 | Seal Kit | | |

Notes

Decals

| AST and ATU Tuckunder Liftgate Safety Decals | | | | |
|---|----------|---|-----|---|
| Item | Part No. | Description | Qty | Remarks |
| 1 | Q-003013 | Urgent Warning - Elevating Gate Instructions... | 1 | |
| 2 | ATU-423 | Operating Instructions | 1 | |
| 3 | A-150238 | Notice - This liftgate is protected... | 1 | |
| 4 | A-131015 | 1500 lb. Maximum Capacity | 1 | 1500 Models Only |
| | ATU-175 | 1800 lb. Maximum Capacity | 1 | 1800 Models Only |
| | A-131020 | 2000 lb. Maximum Capacity | 1 | 2000 Models Only |
| | ATU-174 | 2500 lb. Maximum Capacity | 1 | 2500 Models Only |
| | ATU-147 | 3000 lb. Maximum Capacity | 1 | 3000 Models Only |
| | ATU-177 | 3500 lb. Maximum Capacity | 1 | 3500 Models Only |
| 5 | ATU-146 | Stand Clear Do Not Ride on Lift | 2 | |
| 6 | ATU-143 | Secure Latch While in Transit | 1 | |
| 7 | A-131017 | Note: Disengage "latch"... | 1 | |
| 8 | ATU-141 | After Using Liftgate, Secure Latch... | 1 | Place in cab on dash in plain view of driver. |
| 9 | ATU-424 | Reset Circuit Breaker (not shown) | 1 | On circuit breaker bracket |
| 10 | 998420 | Anthony Hydraulic Lift Gate label | 1 | |



1.

URGENT WARNING
ELEVATING GATE INSTRUCTIONS

Before Operating Lift, Be Sure You Understand the Following.

1. Improper operation of this lift can result in serious personal injury. Do not operate unless you have been properly instructed and have read and are familiar with, the operating instructions. If you do not have a copy of the instructions please obtain them from your employer, distributor, or lessor, as appropriate, before you attempt to operate the lift.
2. Be certain the vehicle is properly and securely braked before using the lift.
3. Always inspect this lift for maintenance or damage before using it. If there are signs of improper maintenance, damage to vital parts, or slippery platform surface, do not use the lift. Do not attempt your own repairs, unless you are specifically trained.
4. Do not overload. See Mfg. Literature and/or Rating Label on the unit for the rated load. Remember that this limit applies to both raising and lowering operations.
5. Each load should be placed in a stable position within the edges of the platform as near as possible to the center of the platform side to side, and as close to the truck sill as possible.
6. Never stand in or move through or allow anyone else to stand in or move through the area in which the lift may operate or into which an upset load might fall.
7. This is not a passenger lift. This liftgate is intended for loading and unloading of cargo only. Do not use this liftgate for anything but its intended use.

Anthony Liftgates, Inc.

6/95

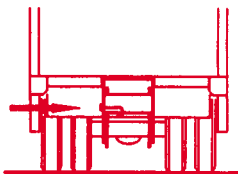
Q-003013

2.

ANTHONY ATU, AST, AK & LB LIFTGATE OPERATING INSTRUCTIONS

1

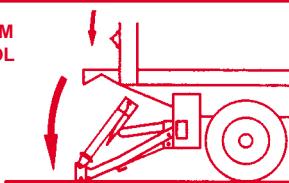
UNLATCH LIFTGATE BY
TWISTING, THEN SLIDING
“LATCH PIN” IN
DIRECTION OF ARROW



2

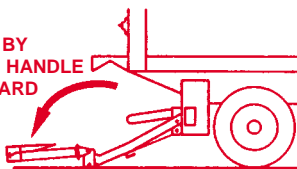
LOWER PLATFORM
BY PUSHING CONTROL
SWITCH TO “DOWN”
POSITION

Platform will begin
to open as it lowers.



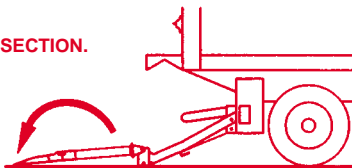
3

UNFOLD PLATFORM BY
PULLING PLATFORM HANDLE
OUTWARD AND TOWARD
GROUND.



4

UNFOLD FLIP SECTION.



5

FLIP SWITCH “UP” TO RAISE PLATFORM
-OR-
FLIP SWITCH “DOWN” TO LOWER PLATFORM



6

TO TUCK UNIT UNDER AFTER USE, LOWER PLATFORM
TO GROUND AND REVERSE STEPS

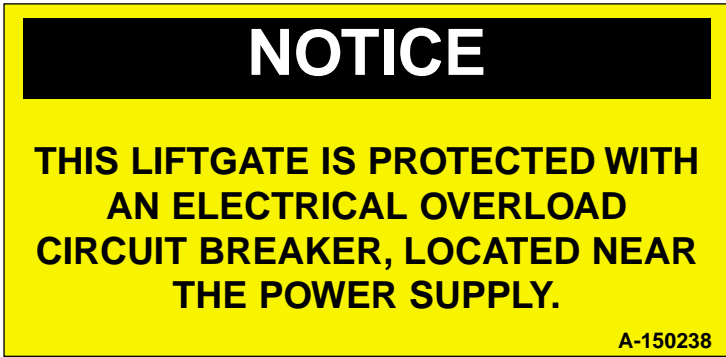


ANTHONY LIFTGATES, INC.

1037 WEST HOWARD ST. PONTIAC, IL 61764

ATU-423

3.



4.



IMPORTANT NOTICE

Make sure the proper “maximum capacity” decal goes on the appropriate liftgate. For example, the “1500 maximum capacity” decal goes on AST1500 models only. Do not put a higher rated decal (3000 pound) on a smaller liftgate (model 1500); this could result in liftgate damage or possibly personal injury.

5.



6.

**SECURE LATCH WHILE
IN TRANSIT**



P/N ATU-143

7.

Note:

**Disengage “latch”
before attempting to
use liftgate.**

**Engage “latch” after
using liftgate.**

A-131017

8.

**AFTER USING LIFTGATE, SECURE
LATCH AND, IF EQUIPPED WITH
POWER CUT-OFF SWITCH, TURN
OFF POWER TO PREVENT
UNAUTHORIZED USE OF LIFTGATE**

ATU-141



Anthony Liftgates, Inc.
1037 W. Howard Street • P.O. Box 615 • Pontiac, IL 61764-0615
Ph: 815.842.3383 • Fax: 815.844.3612 • Toll Free: 800.482.0003
www.anthonyliftgates.com
