

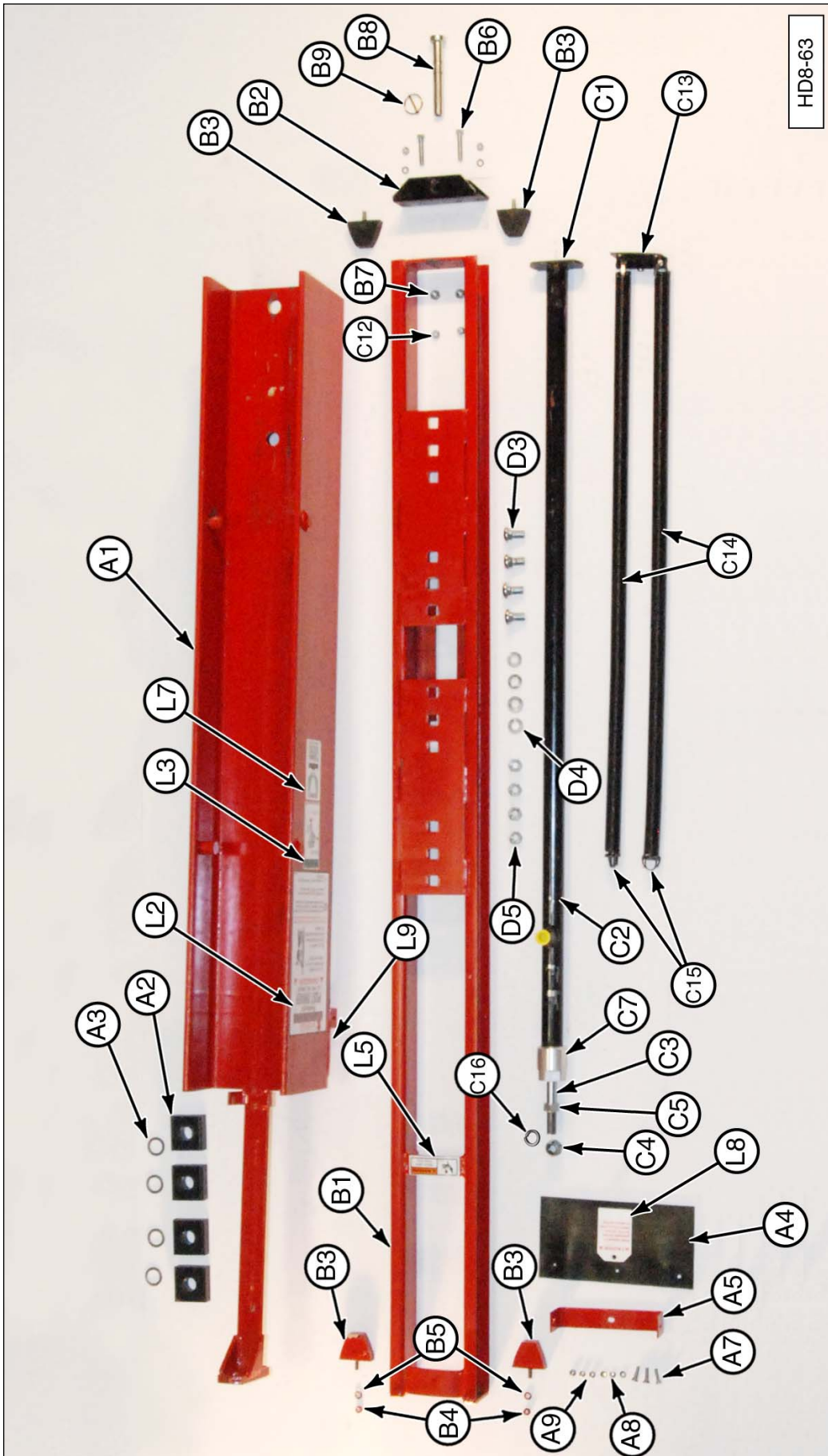


# 2009 Price List



## Hydraulic Post Driver Model HD-8 & HD-8-H

# Driver Assembly

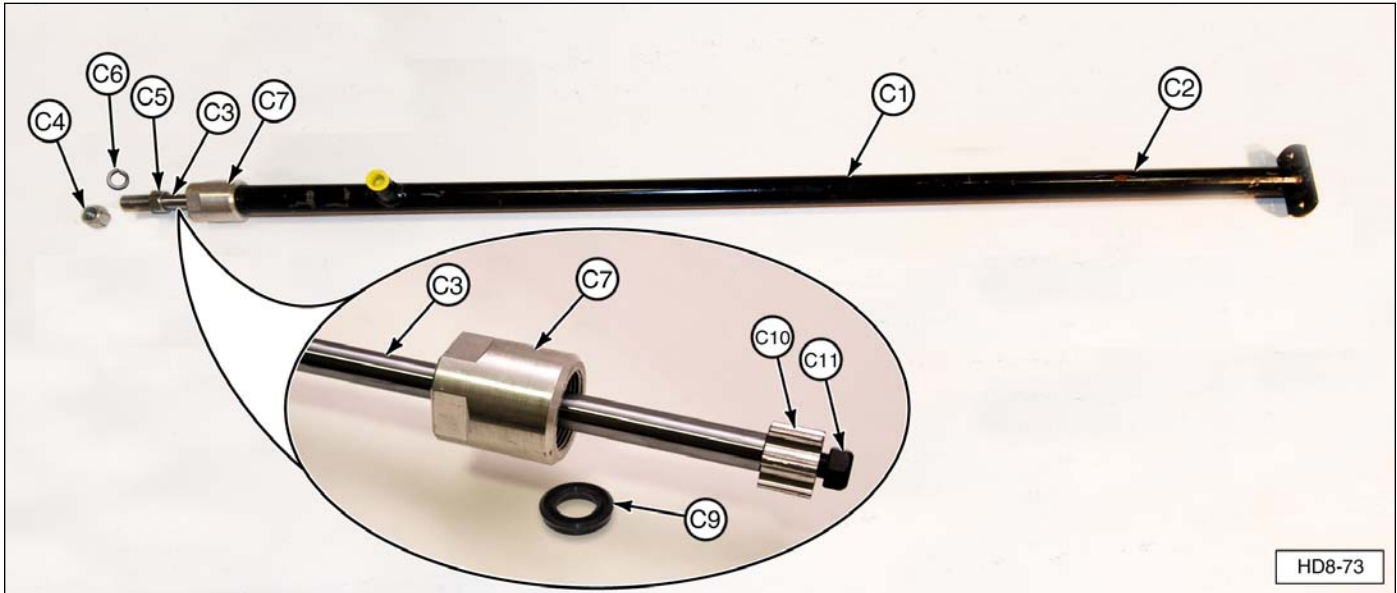


## Driver Assembly

A1	SM-0011-DRC	Driving Ram Complete
	SM-0011-DRO	Driving Ram Only
	SM-0011-MRO	Driving Ram Special for Vineyard Applications
A2	SM-00512	Guide Block (Pkg. of 4)
A3	SM-0933	Driver Shim (18 Ga.)
	SM-0934	Driver Shim (14 Ga.)
	SM-0935	Driver Shim (10 Ga.)
A4	SM-0011-G	Rubber Debris Guard with hardware
A5		Guard Mounting Strap
L8		Caution Tag
A7		Bolt, 1/4-20 x 1" Grade 5
A8		Lock Washer, 1/4" Grade 5
A9		Nut, 1/4-20 Grade 5
A10	SM-1011-BS	Block Stud Requires old part be cut out and new part welded. Voids warranty.
A11	SM-0011-SBU	Spring Bracket Upper Requires old part be cut out and new part welded. Voids warranty.
A12	SM-0011-LYB	Lift Yoke Bar Requires old part be cut out and new part welded. Voids warranty.
A13	SM-0011-LYT	Lift Yoke Top Requires old part be cut out and new part welded. Voids warranty.
B1	SM-00412	Main Carriage Channel
B2	SM-0041-RLB	Road Lock Brkt. Less Pins
B3	SM-0041-B	Rubber Bumper w/Nut
B4	—	Nut, 1/4-20 Grade 5
B5	—	Lock Washer, 1/4" Grade 5
B6	SM-02612	Cylinder Bolt
B7	SM-02614	Cylinder Heavy Nut
B8	SM-1041-RLP	Road Lock Pin Only
B9	SM-1041-RLC	Road Lock Clip
C1	SM-0263	Cylinder, Complete
C2	SM-0264	Cylinder Tube Only
C3	SM-0266	Piston Rod
C4	SM-0267	Piston Locknut
C5	SM-018	Nut w/Set Screw
C6	SM-0268	Spring Washer
C7	SM-0262-D	Cylinder Cap & Seal Assy
C8	—	— —
C9	SM-0265-D	Cup Seal Only
C10	SM-02610	Piston Guide
C11	S-0269	Piston Guide Nut
C11	SM-02613	Cylinder Locknut
C12	S-090	Spring Brkt Bolt/Lknut
C13	SM-0011-SBL	Spring Bracket Lower
C14	SM-0011-DRS	Driving Ram Spring w/Clips
C15	SM-0011-SC	Spring Clip

**\$\$\$ Dealer Cost \$\$\$**

## Cylinder Parts



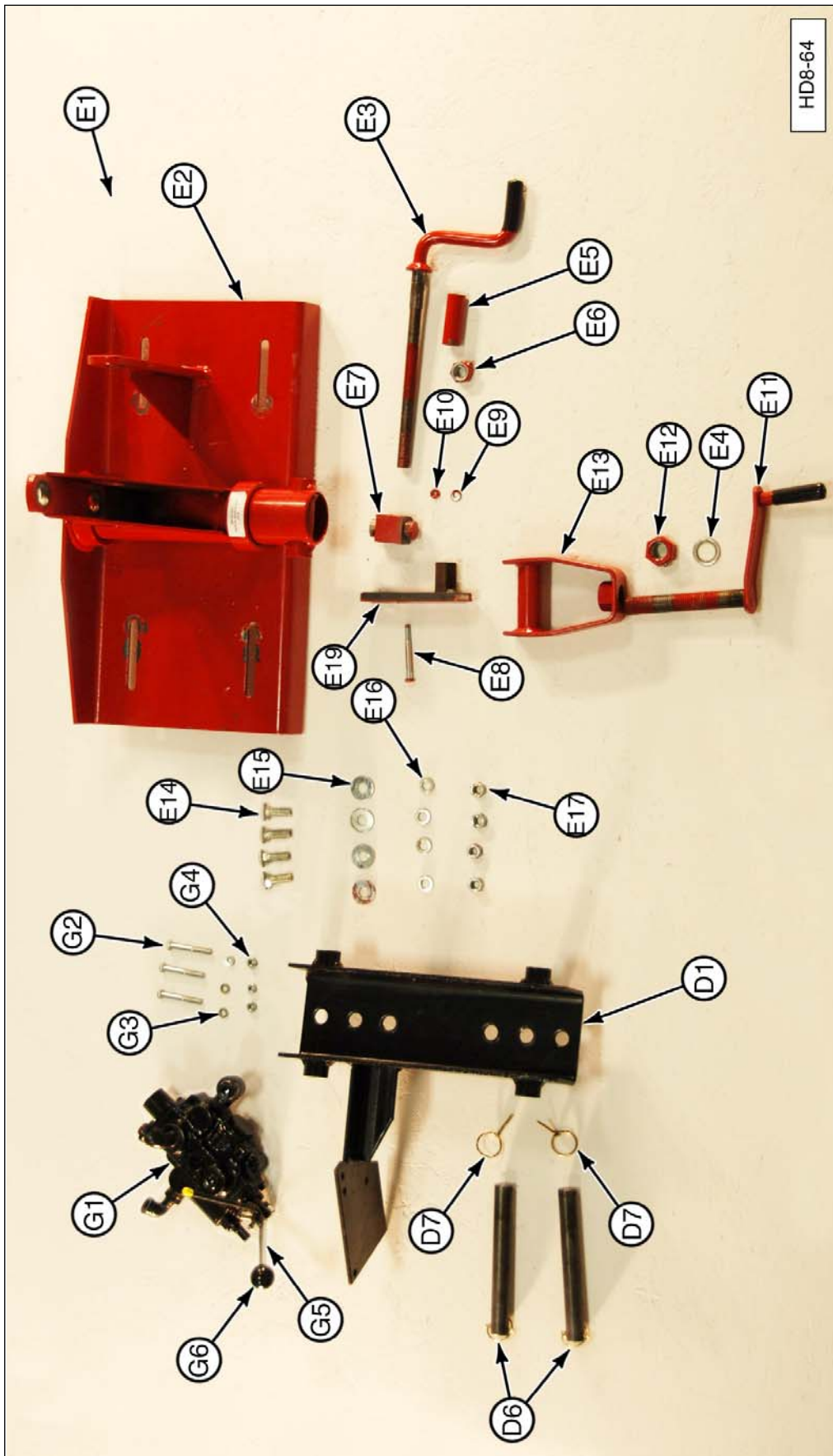
HD8-73

C1	SM-0263	Cylinder, Complete
C2	SM-0264	Cylinder Tube Only
C3	SM-0266	Piston Rod
C4	SM-0267	Piston Locknut
C5	SM-018	Nut w/Set Screw
C6	SM-0268	Spring Washer
C7	SM-0262-D	Cylinder Cap & Seal Assy
C8	—	—
C9	SM-0265-D	Cup Seal Only
C10	SM-02610	Piston Guide
C11	S-0269	Piston Guide Nut
C11	SM-02613	Cylinder Locknut
C12	S-090	Spring Brkt Bolt/Lknut
C13	SM-0011-SBL	Spring Bracket Lower
C14	SM-0011-DRS	Driving Ram Spring w/Clips
C15	SM-0011-SC	Spring Clip

**\$\$\$ Dealer Cost \$\$\$**

## Notes

# Manual Base Plate Assembly

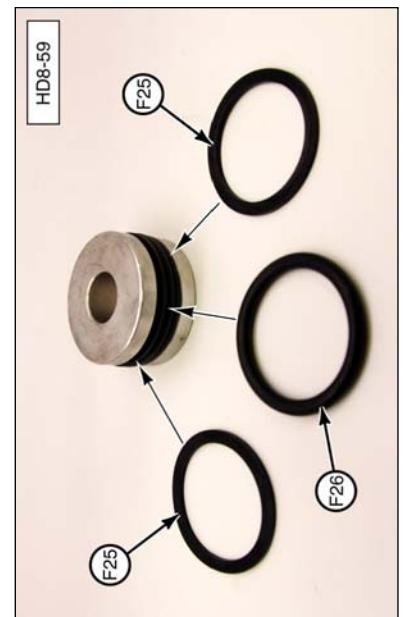
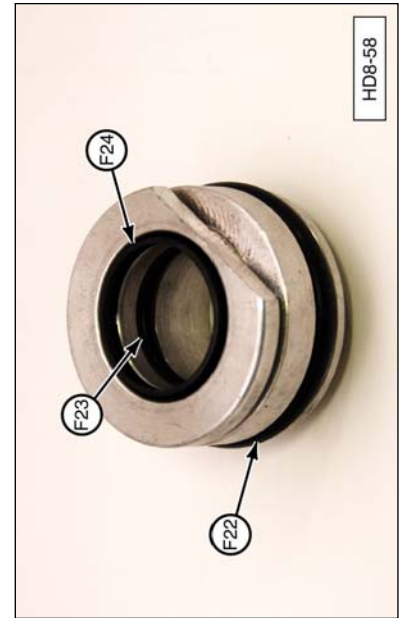
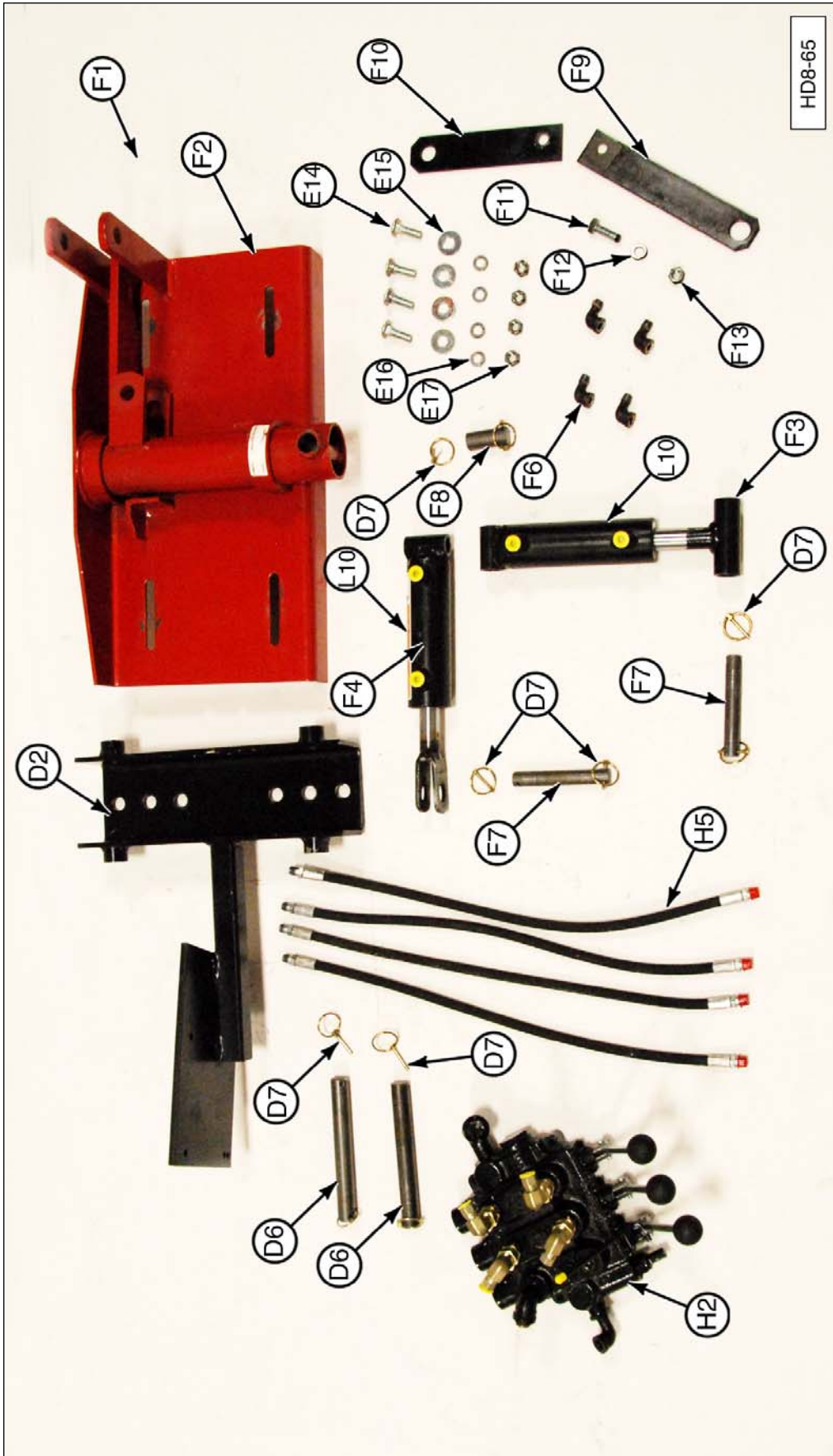


## Manual Base Plate Assembly

D1	SM-001	Short Carriage Channel
D2	HBP-909	Hydraulic Short Channel, HD-8-H
D3	S-012	Bolt, 5/8-11 x 1-1/4" Grade 5
D4	S-013	Lockwasher, 5/8" Grade 5
D5	—	Nut, 5/8-11 Grade 5
D6	SM-014	Carriage Channel Pin Only
D7	SM-2025-LP	Lynch Pin (3/16" x 1-1/8")
E1	SM-015-BPC	Base Plate Complete, Mechanical Adjustment
E2	SM-015	Base Plate Only
E3	SM-016	Side Tilt Crank
E4	—	Flat Washer
E5	SM-017	Side Tilt Crank Sleeve
E6	SM-018	Nut w/Set Screw
E7	SM-2025-SB	Side Tilt Screw Block
E8	—	Bolt
E9	—	Washer
E10	—	Nut
E11	SM-019	End Tilt Crank
E12	S-095	1" Nut w/Set Screw
	SM-021	Nut w/Set Screw
E13	SM-022	End Tilt Tee
E14-	S-092	Bolt, Lockwasher & Nut
E17		
E14		Bolt, 1/2-13 x 1-1/2" Grade 5
E15		Flat Washer, 1/2" Grade 5
E16		Lock Washer, 1/2" Grade 5
E17		Nut, 1/2-13 Grade 5
E18	SM-015-CC	Crank Cover
E19	SM-2025-SBS	Side Tilt Screw Block Support

**\$\$\$ Dealer Cost \$\$\$**

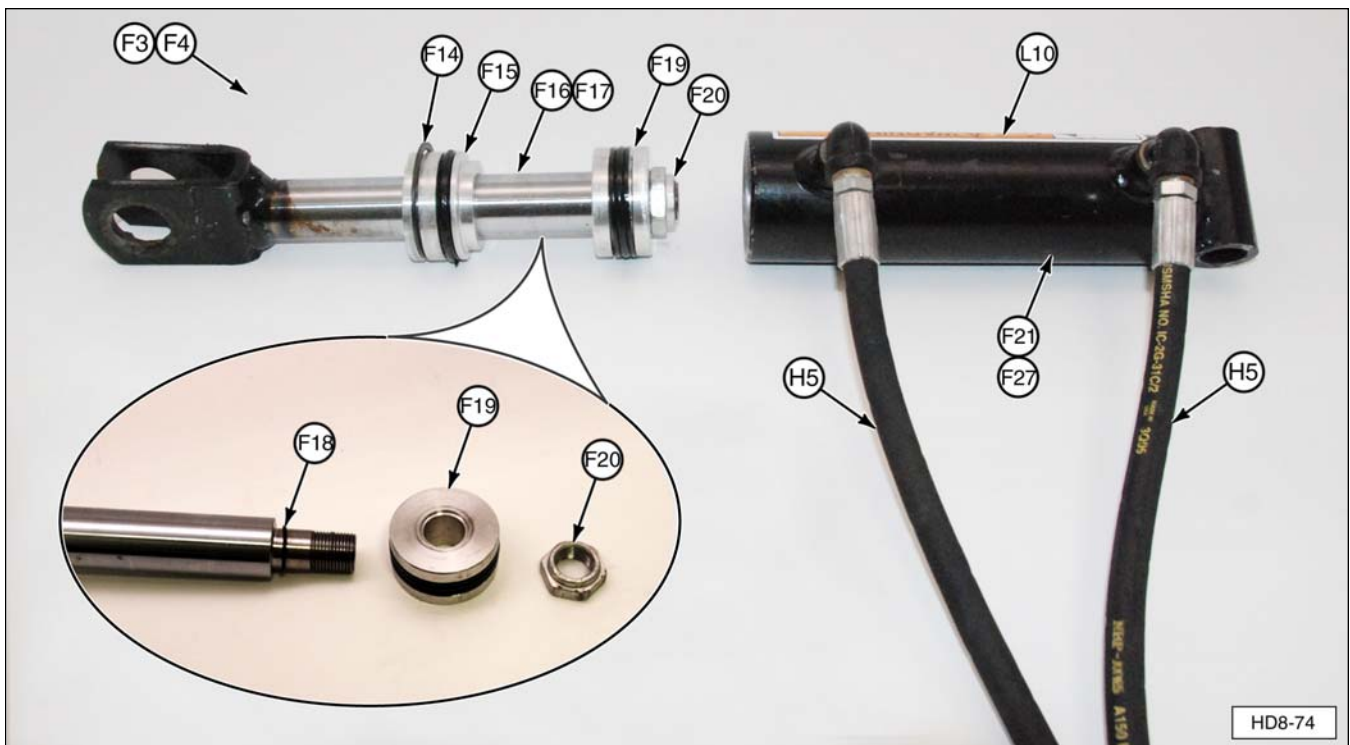
# Hydraulic Base Plate Assembly



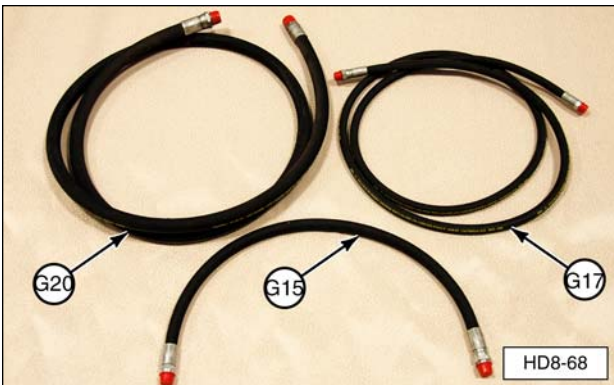
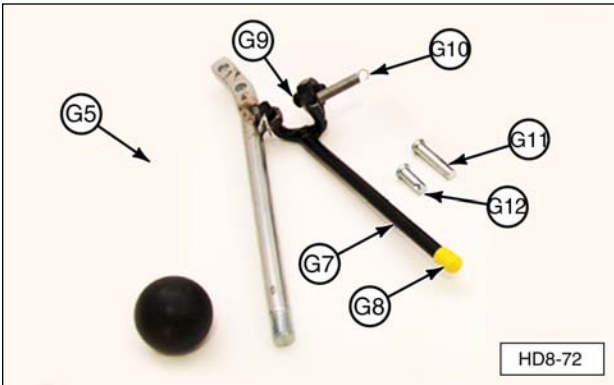
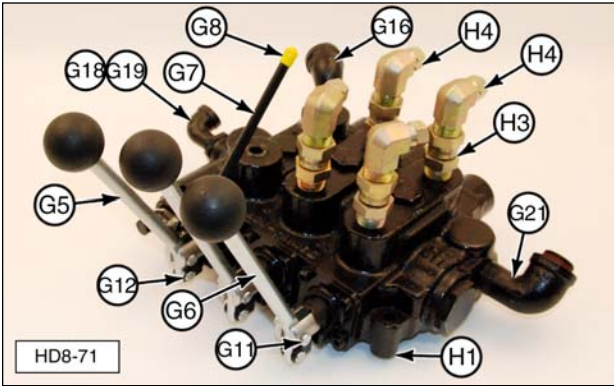
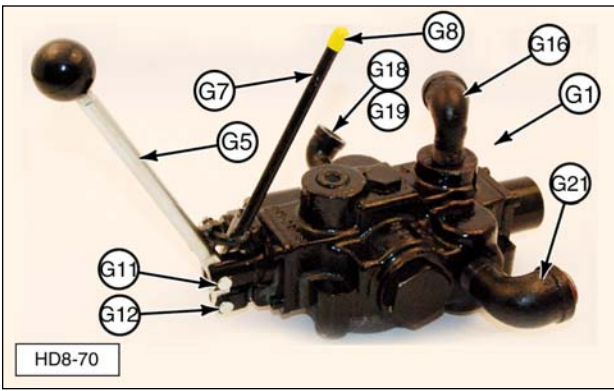
## Hydraulic Base Plate Assembly

F1	HD-8-HCK	Hydraulic Base Plate Conversion Kit (includes HBP-909, HBP-90811, HBP-90815, and HBP-908120)
F2	HBP-90811	Base Plate Only
F3	HBP-90812	Forward Tilt Cylinder
F4	HBP-90813	Side Tilt Cylinder
F3/F4	HBP-908120	Cylinder Kit Complete (includes F3, F4, and F9-F13)
F5	HBP-908131	Cylinder Seal Kit
F6	HBP-908132	Cylinder Fitting
F7	HBP-908133	Pin Only
F8	HBP-908134	Pin Only
F9-F13	HBP-908-CS	Cylinder Stop With Hardware
F9		Cylinder Stop Plate, 8.5 in
F10		Cylinder Stop Plate, 10.5 in
F11		Bolt, 1/2-13 x 1-3/4"
F12		Lock Washer, 1/2"
F13		Nut, 1/2-13
F14	HBP-908139	Snap Ring (2")
F15	HBP-908136	Gland Only
F16	HBP-90813-A	Side Tilt Piston Rod
F17	HBP-908121	Forward Tilt Piston Rod
F18	HBP-908137	Piston Only
F19	HBP 908138	Piston Locknut
F20	HBP-90809	Fwd. Tilt Cylinder Tube
F21	HBP-908131	Seal Kit, O-Ring Seal
F22		Seal Kit, External O-Ring Seal
F23		Seal Kit, Internal O-Ring Seal
F24		Seal Kit, Internal Lip Seal
F25		Seal Kit, Scraper Seal
F26		Seal Kit, O-Ring Seal
F27	HBP-90810	Side Tilt Cylinder Tube

**\$\$\$ Dealer Cost \$\$\$**



# Hydraulic Valves, Hoses, Etc.



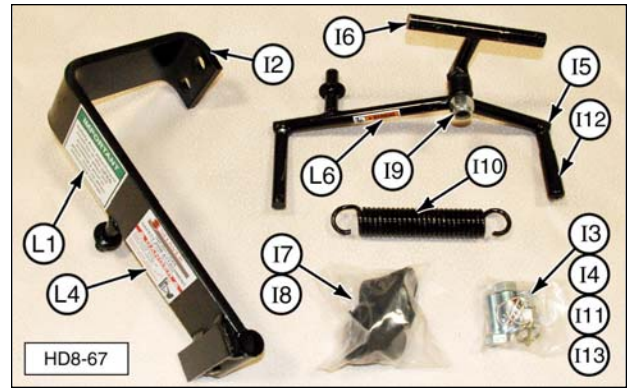
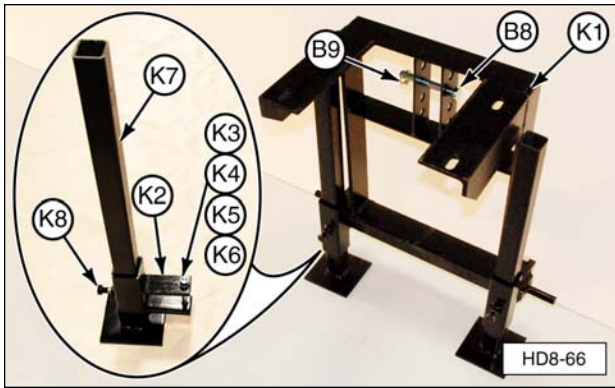
## Hydraulic Valves, Hoses, Etc.

G1	P-5000	Valve Comp (HD-8)
	P-5001	Seal Kit for P-5000 Valve
G2	—	Bolt, 5/16-18 x 2-1/2"
G3	—	Washer, 5/16"
G4	—	Nut, 5/16-18
G5	P-5003	Handle Kit for Section 1 of Valve
G6	P-5303	Handle Kit for Section 2 or 3 (one handle per lit)
G7	—	Safety Lever (part of G5, P-5003)
G8	—	Plastic Cap (part of G5, P-5003)
G9	—	Set Screw, 3/8-16 x 3/4" (part of G5, P-5003)
G10	—	Return Spring (part of G5, P-5003)
G11	—	Clevis Pin, 1/4" x 1" (part of G5, P-5003)
G12	—	Clevis Pin, 1/4" x 3/4" (part of G5, P-5003)
G13	—	Cotter Pin, 1/16 " x 1" (part of G5, P-5003)
G14	P-5007	Closed Center Plug
	HBP-908171	Closed Center Plug Pkg
	HBP-908174	Open Center Plug Pkg
G15	SM-023-P	1/2"X 35" Valve/Cyl. Hose
G16	—	—
G17	SM-024-P	3/8"X 120" Pressure Hose
G17	SM-0234-P	1/2"X 120" Pressure Hose
G18	HBP-908183	Hose Fitting
G19	HBP-908184	90° Pipe Fitting
G20	SM-025-R	3/4"X 120" Return Hose
G21	HBP-908184	Pressure Hose Fitting
G22	P-5001	Seal Kit (P-5000)

H1	P-5300	Valve Complete (HD-8-H)
	P-5301	Seal Kit for P-5300
H2	—	—
H3	HBP-908181	Hose Fitting
H4	HBP-908182	Return Hose Fitting
H5	SM-02111-P	1/4" x 26" Pressure Hose

**\$\$\$ Dealer Cost \$\$\$**

# Support Stand, Safety Arm, Document Tube, and Decals



HD8-69

L1 →

L2 →

L3 →

L4 →

L5 →

L6 →

L7 →

L8 →

L9 →

L10 →

## Support Stand, Safety Arm, Document Tube, and Decals

I1	SM-0011-SAA	Safety Arm Complete Unit
I2	SM-0011-SAAC	Safety Arm Frame Only
I3	—	Bolt, 3/4-13 x 2"
I4	—	Nut, Self-Locking, 3/4-13
I5	SM-0011-SAAD	Swing Arm Handle Only
I6-I8	SM-0011-SAA13C	Roller Holder Complete
I6	SM-0011-SAA15	Roller Holder Swivel
I7	SM-0011-SAA16	Roller Only
I8	—	Roll Pin
I9	—	Nut, 3/4-13
I10	SM-0011-SAA2	Latch Spring
I11	SM-0011-SAA7	Spring Top (3/4" Washer)
I12	SM-015-CC	Crank Cover
J1	OPMAN-TUBE-2"	Document Tube
B8	SM-1041-RLP	Road Lock Pin Only
B9	SM-1041-RLC	Road Lock Clip
K1	MB-01-A	Three-Point Hitch Weldment
K2	OS-4-22SFB	Leg Bracket Weldment
K3	—	Leg Brkt Bolt, 1/2-13 x 4" Grade 5
K4	—	Flat Washer, 1/2" Grade 5
K5	—	Lock Washer 1/2" Grade 5
K6	—	Nut, 1/2-13 Grade 5
K7	OS-4-22 SFA	Stabilizer Leg
K8	—	Bolt, 5/8-11 x 1-1/2" Grade 5
L1	MS-165	Shaver Safety Arm Decal
L2	MS-161	Driver Name/Safety Decal
L3	MS-169	Control Valve Decal
L4	MS-166	Open Safety Arm Decal
L5	MS-163	Pinch Point Decal
L6	MS-181	Pinch Point Decal
L7	MS-280	FEMA Decal
L8	MS-0011-ST	Caution Tag
L9	MS-180	Cylinder Nut Guide Decal
L10	MS-171	Cylinder Safety Decal

**\$\$\$ Dealer Cost \$\$\$**

## Part Number Listing

—	B4	Nut, 1/4-20 Grade 5
—	B5	Lock Washer, 1/4" Grade 5
—	C8	—
—	D5	Nut, 5/8-11 Grade 5
—	E4	Flat Washer
—	E8	Bolt
—	E9	Washer
—	E10	Nut
—	G2	Bolt, 5/16-18 x 2-1/2"
—	G3	Washer, 5/16"
—	G4	Nut, 5/16-18
—	G7	Safety Lever (part of G5, P-5003)
—	G8	Plastic Cap (part of G5, P-5003)
—	G9	Set Screw, 3/8-16 x 3/4" (part of G5, P-5003)
—	G10	Return Spring (part of G5, P-5003)
—	G11	Clevis Pin, 1/4" x 1" (part of G5, P-5003)
—	G12	Clevis Pin, 1/4" x 3/4" (part of G5, P-5003)
—	G13	Cotter Pin, 1/16 " x 1" (part of G5, P-5003)
—	G16	—
—	H2	—
—	I3	Bolt, 3/4-13 x 2"
—	14	Nut, Self-Locking, 3/4-13
—	I8	Roll Pin
—	I9	Nut, 3/4-13
—	K3	Leg Brkt Bolt, 1/2-13 x 4" Grade 5
—	K4	Flat Washer, 1/2" Grade 5
—	K5	Lock Washer 1/2" Grade 5
—	K6	Nut, 1/2-13 Grade 5
—	K8	Bolt, 5/8-11 x 1-1/2" Grade 5
HBP-908138	F19	Piston Locknut
HBP-90809	F20	Fwd. Tilt Cylinder Tube
HBP-90810	F27	Side Tilt Cylinder Tube
HBP-90811	F2	Base Plate Complete less Cylinders
HBP-90812	F3	Forward Tilt Cylinder
HBP-908120	F3/F4	Cylinder Kit Complete (includes F3, F4, and F9-F13)
HBP-908121	F17	Forward Tilt Piston Rod
HBP-90813	F4	Side Tilt Cylinder
HBP-908131	F5	Cylinder Seal Kit
HBP-908131	F21	Seal Kit, O-Ring Seal (includes, F18, F22, F23, F24, F25, and F26)
HBP-908131	F22	Seal Kit, External O-Ring Seal (includes, F18, F22, F23, F24, F25, and F26)
HBP-908131	F23	Seal Kit, Internal O-Ring Seal (includes, F18, F22, F23, F24, F25, and F26)
HBP-908131	F24	Seal Kit, Internal Lip Seal (includes, F18, F22, F23, F24, F25, and F26)
HBP-908131	F25	Seal Kit, Scraper Seal (includes, F18, F22, F23, F24, F25, and F26)
HBP-908131	F26	Seal Kit, O-Ring Seal (includes, F18, F22, F23, F24, F25, and F26)
HBP-908132	F6	Cylinder Fitting
HBP-908133	F7	Pin Only

**\$\$\$ Dealer Cost \$\$\$**

HBP-908134	F8	Pin Only
HBP-908136	F15	Gland Only
HBP-908137	F18	Piston Only
HBP-908139	F14	Snap Ring (2")
HBP-90813-A	F16	Side Tilt Piston Rod
HBP-908171	G14	Closed Center Plug Pkg
HBP-908174	G14	Open Center Plug Pkg
HBP-908181	H3	Hose Fitting
HBP-908182	H4	Return Hose Fitting
HBP-908183	G18	Hose Fitting
HBP-908184	G19	90° Pipe Fitting
HBP-908184	G21	Pressure Hose Fitting
HBP-908-CS	F9-F13	Cylinder Stop With Hardware
HBP-908-CS	F9	Cylinder Stop Plate, 8.5 in
HBP-908-CS	F10	Cylinder Stop Plate, 10.5 in
HBP-908-CS	F11	Bolt, 1/2-13 x 1-3/4"
HBP-908-CS	F12	Lock Washer, 1/2"
HBP-908-CS	F13	Nut, 1/2-13
HBP-909	D2	Hydraulic Short Channel, HD-8-H
HD-8-HCK	F1	Hydraulic Base Plate Conversion Kit (includes HBP-909, HBP-90811, HBP-90815, and HBP-908120)
MB-01-A	K1	Three-Point Hitch Weldment
MS-0011-ST	L8	Caution Tag
MS-161	L2	Driver Name/Safety Decal
MS-163	L5	Pinch Point Decal
MS-165	L1	Shaver Safety Arm Decal
MS-166	L4	Open Safety Arm Decal
MS-169	L3	Control Valve Decal
MS-171	L10	Cylinder Safety Decal
MS-180	L9	Cylinder Nut Guide Decal
MS-181	L6	Pinch Point Decal
MS-280	L7	FEMA Decal
OPMAN-TUBE-2"	J1	Document Tube
OS-4-22SFA	K7	Stabilizer Leg
OS-4-22SFB	K2	Leg Bracket Weldment
P-5000	G1	Valve Comp (HD-8)
P-5001	G1	Seal Kit for P-5000 Valve
P-5001	G22	Seal Kit (P-5000)
P-5003	G5	Handle Kit for Section 1 of Valve
P-5007	G14	Closed Center Plug
P-5300	H1	Valve Complete (HD-8-H)
P-5301	H1	Seal Kit for P-5300
P-5303	G6	Handle Kit for Section 2 or 3 (one handle per lit)
S-012	D3	Bolt, 5/8-11 x 1-1/4" Grade 5
S-013	D4	Lockwasher, 5/8" Grade 5
S-0269	C11	Piston Guide Nut
S-090	C12	Spring Brkt Bolt/Lknut
S-092	E14-E17	Bolt/Lockwasher & Nut
S-092	E14	Bolt, 1/2-13 x 1-1/2" Grade 5
S-092	E15	Flat Washer, 1/2" Grade 5
S-092	E16	Lock Washer, 1/2" Grade 5
S-092	E17	Nut, 1/2-13 Grade 5
S-095	E12	1" Nut w/Set Screw

**\$\$\$ Dealer Cost \$\$\$**

SM-001	D1	Short Carriage Channel
SM-0011-DRC	A1	Driving Ram Complete
SM-0011-DRO	A1	Driving Ram Only
SM-0011-DRS	C14	Driving Ram Spring w/Clips
SM-0011-G	A4	Rubber Debris Guard with hardware
SM-0011-G	A5	Guard Mounting Strap
SM-0011-G	L8	Caution Tag
SM-0011-G	A7	Bolt, 1/4-20 x 1" Grade 5
SM-0011-G	A8	Lock Washer, 1/4" Grade 5
SM-0011-G	A9	Nut, 1/4-20 Grade 5
SM-0011-LYB	A12	"Lift Yoke Bar Requires old part be cut out and new part welded. Voids warranty."
SM-0011-LYT	A13	"Lift Yoke Top Requires old part be cut out and new part welded. Voids warranty."
SM-0011-MRO	A1	Driving Ram Special for Vineyard Applications
SM-0011-SAA	I1	Safety Arm Complete Unit
SM-0011-SAA13CI6-I8		Roller Holder Complete
SM-0011-SAA15	I6	Roller Holder Swivel
SM-0011-SAA16	I7	Roller Only
SM-0011-SAA2	I10	Latch Spring
SM-0011-SAA7	I11	Spring Top (3/4" Washer)
SM-0011-SAAC	I2	Safety Arm Frame Only
SM-0011-SAAD	I5	Swing Arm Handle Only
SM-0011-SBL	C13	Spring Bracket Lower
SM-0011-SBU	A11	"Spring Bracket Upper Requires old part be cut out and new part welded. Voids warranty."
SM-0011-SC	C15	Spring Clip
SM-00412	B1	Main Carriage Channel
SM-0041-B	B3	Rubber Bumper w/Nut
SM-0041-RLB	B2	Road Lock Brkt. Less Pins
SM-00512	A2	Guide Block (Pkg. of 4)
SM-014	D6	Carriage Channel Pin Only
SM-015	E2	Base Plate Only
SM-015-BPC	E1	Base Plate Complete, Mechanical Adjustment
SM-015-CC	E18	Crank Cover
SM-015-CC	I12	Crank Cover
SM-016	E3	Side Tilt Crank
SM-017	E5	Side Tilt Crank Sleeve
SM-018	C5	Nut w/Set Screw
SM-018	E6	Nut w/Set Screw
SM-019	E11	End Tilt Crank
SM-021	E12	Nut w/Set Screw
SM-02111-P	H5	1/4" x 26" Pressure Hose
SM-022	E13	End Tilt Tee
SM-0234-P	G17	1/2"X 120" Pressure Hose
SM-023-P	G15	1/2"X 35" Valve/Cyl. Hose
SM-024-P	G17	3/8"X 120" Pressure Hose
SM-025-R	G20	3/4"X 120" Return Hose
SM-02610	C10	Piston Guide
SM-02612	B6	Cylinder Bolt
SM-02613	C11	Cylinder Locknut
SM-02614	B7	Cylinder Heavy Nut
SM-0262-D	C7	Cylinder Cap & Seal Assy

**\$\$\$ Dealer Cost \$\$\$**

SM-0263	C1	Cylinder, Complete
SM-0264	C2	Cylinder Tube Only
SM-0265-D	C9	Cup Seal Only
SM-0266	C3	Piston Rod
SM-0267	C4	Piston Locknut
SM-0268	C6	Spring Washer
SM-0933	A3	Driver Shim (18 Ga.)
SM-0934	A3	Driver Shim (14 Ga.)
SM-0935	A3	Driver Shim (10 Ga.)
SM-1011-BS	A10	"Block Stud Requires old part be cut out and new part welded. Voids warranty."
SM-1041-RLC	B9	Road Lock Clip
SM-1041-RLP	B8	Road Lock Pin Only
SM-2025-LP	D7	Lynch Pin (3/16" x 1-1/8")
SM-2025-SB	E7	Side Tilt Screw Block
SM-2025-SBS	E19	Side Tilt Screw Block Support

**\$\$\$ Dealer Cost \$\$\$**

