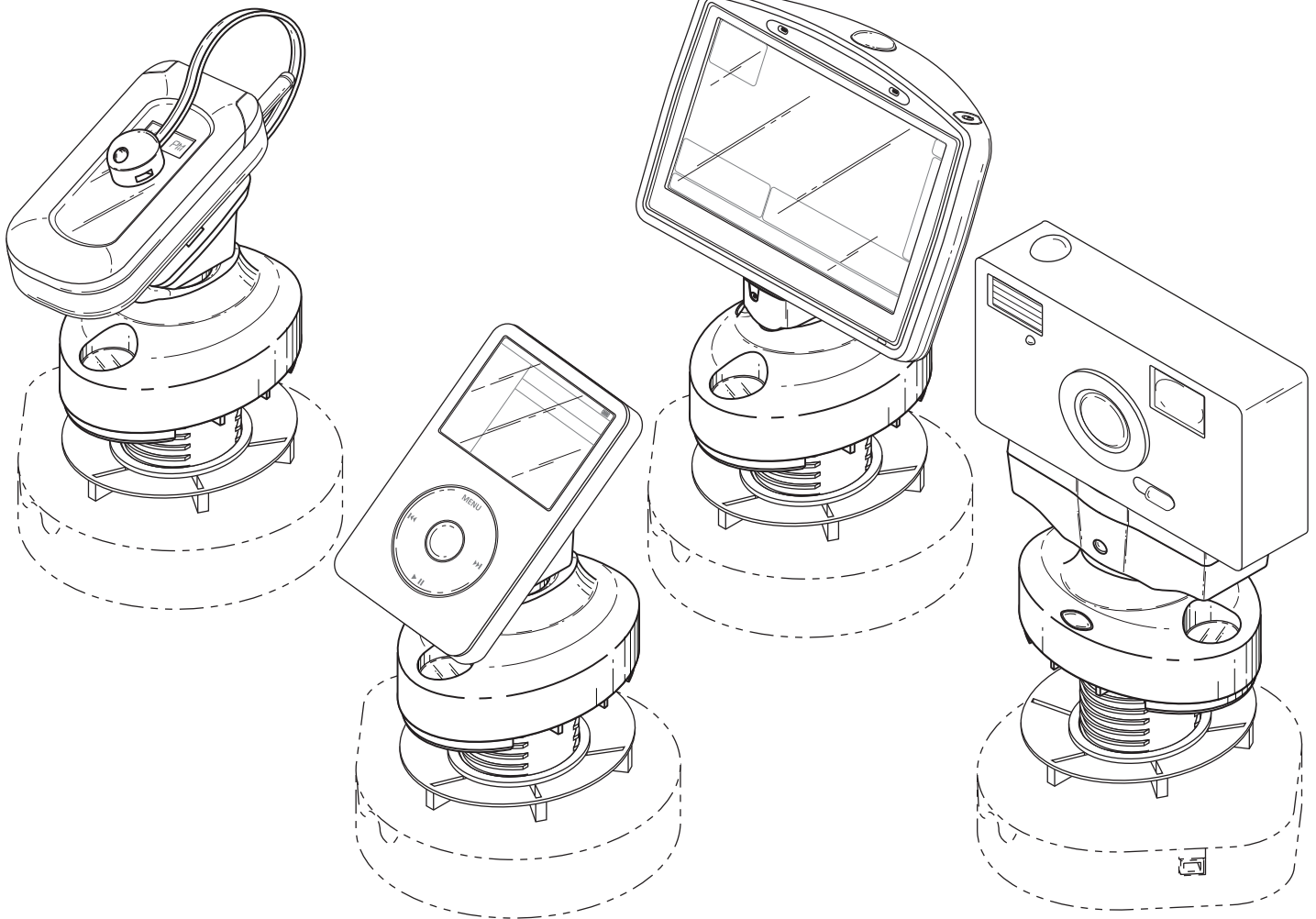
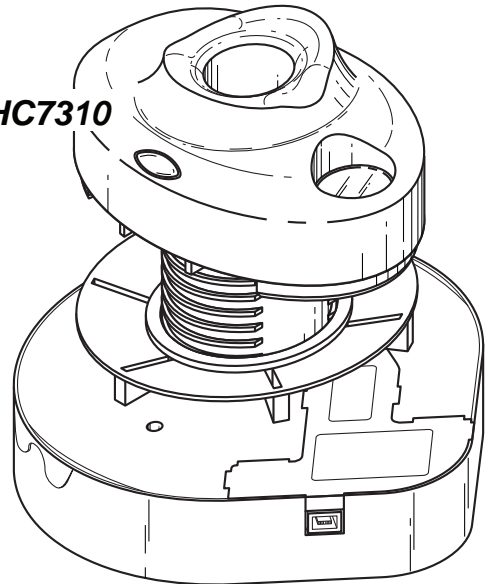


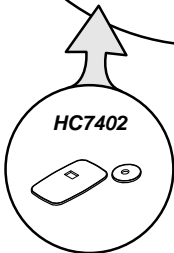
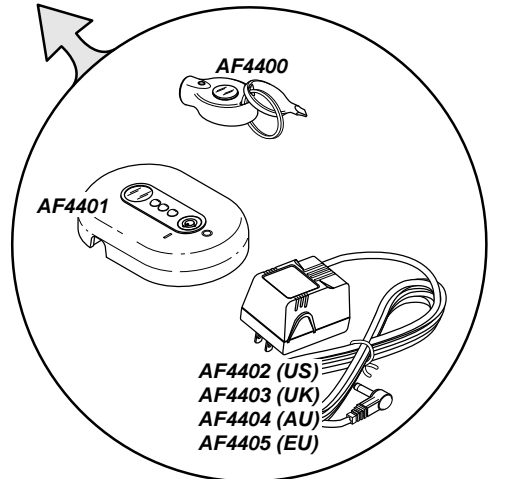
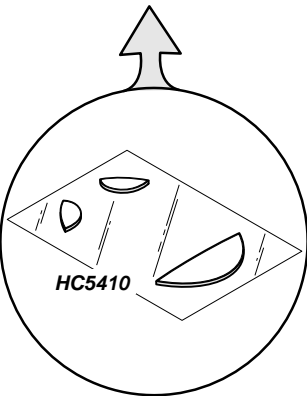
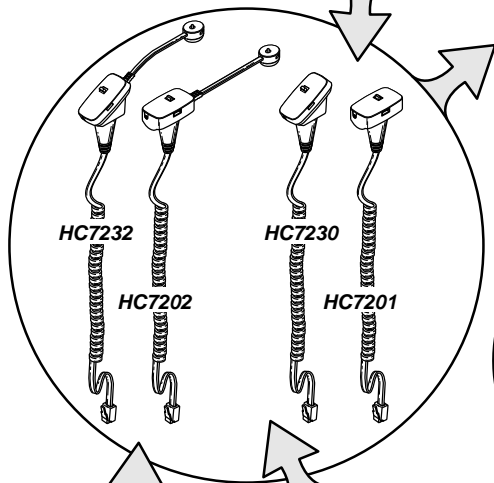
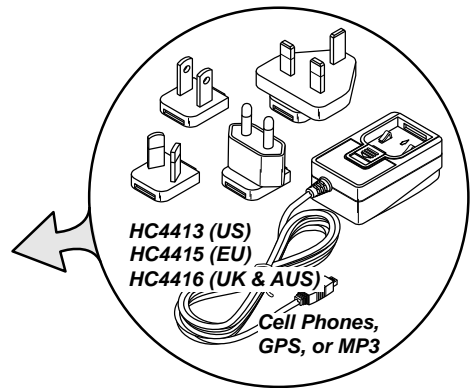
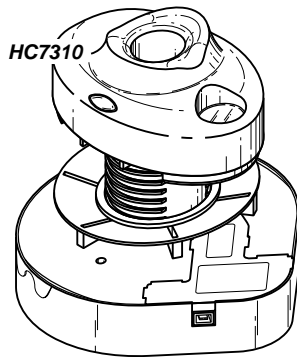
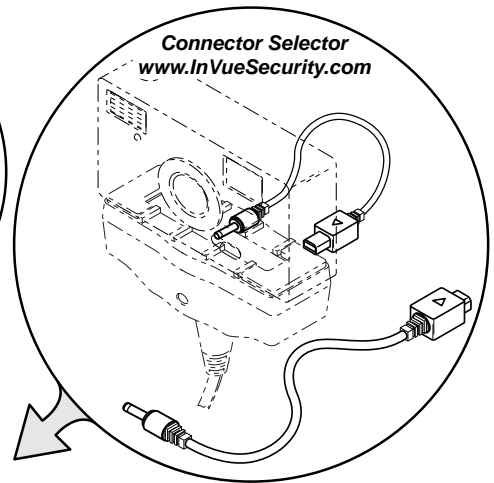
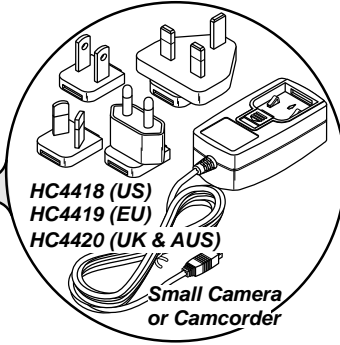
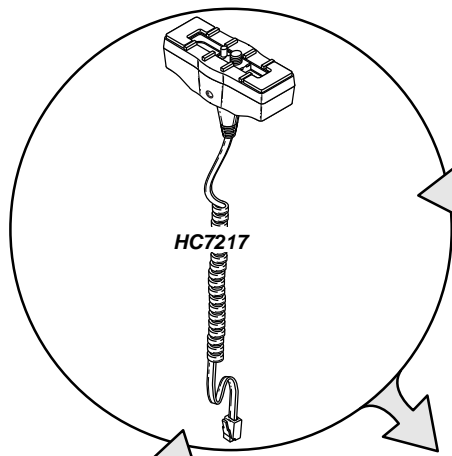
**HC7310**

HC7310 — Above/Below Counter  
Display Stand





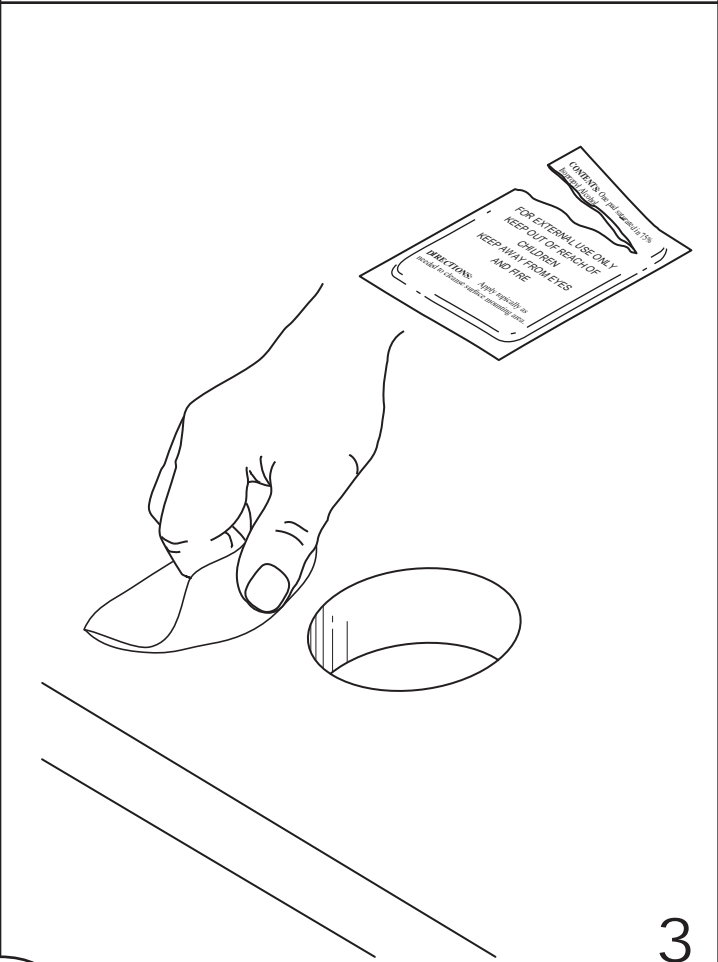
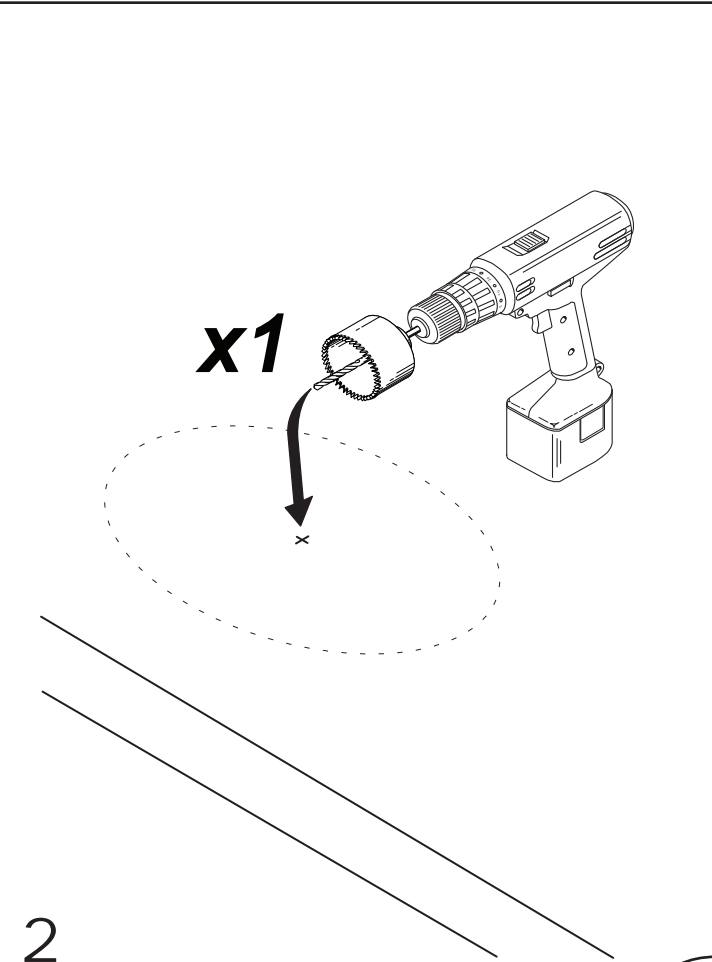
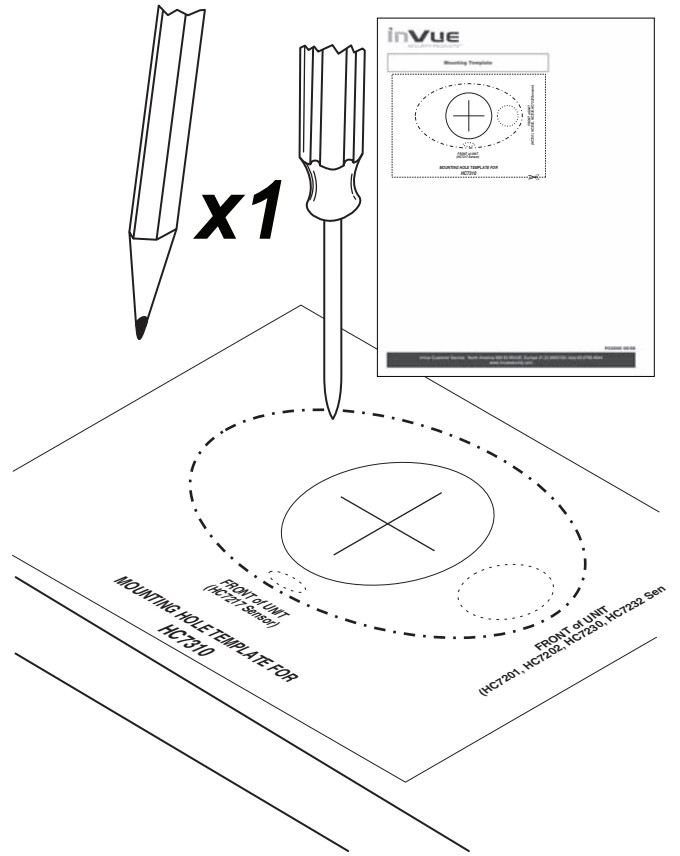
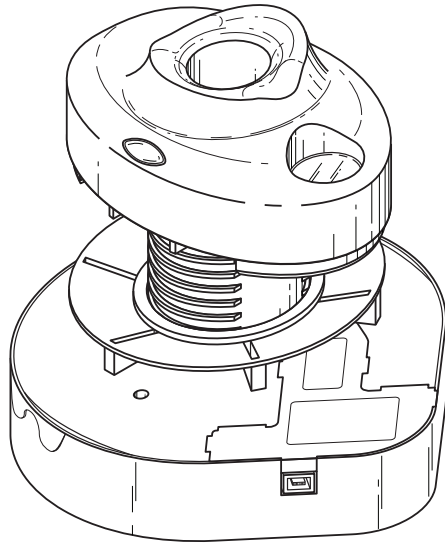
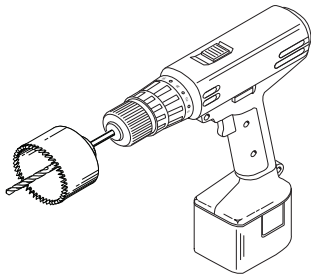
# Mounting Option



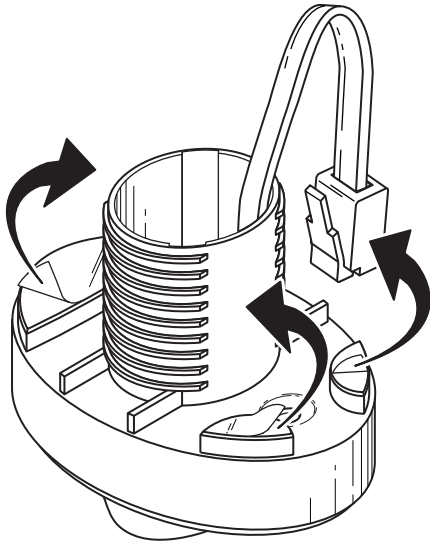
Tools	Optional Accessories
<p>45mm or 1-3/4"</p>	<p>AF6303</p>

# Mounting

1

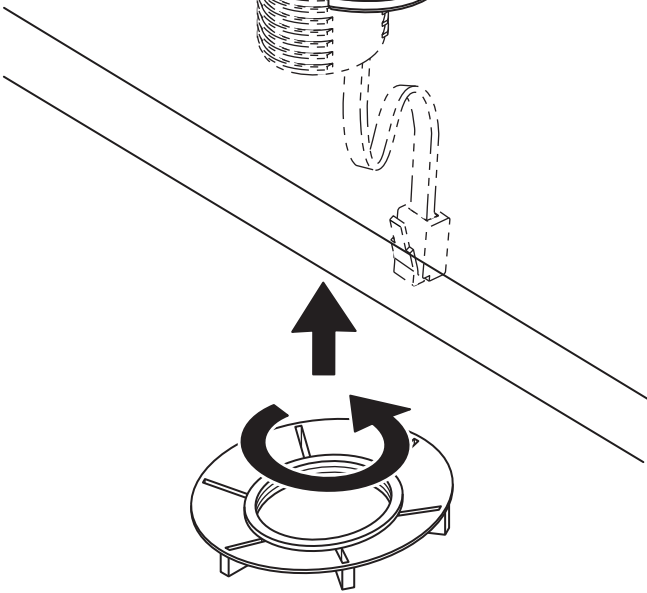
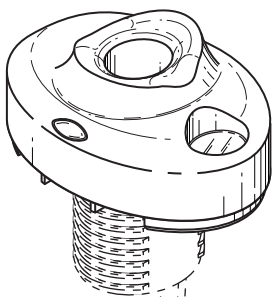
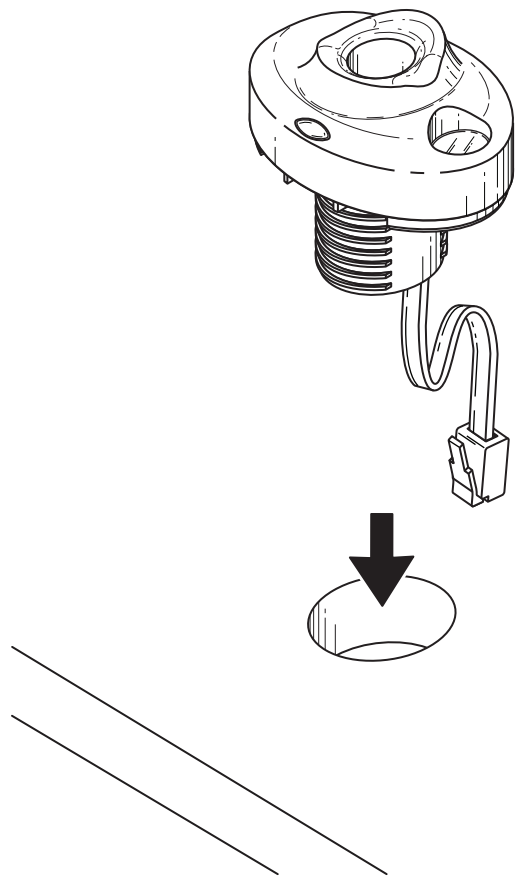


4

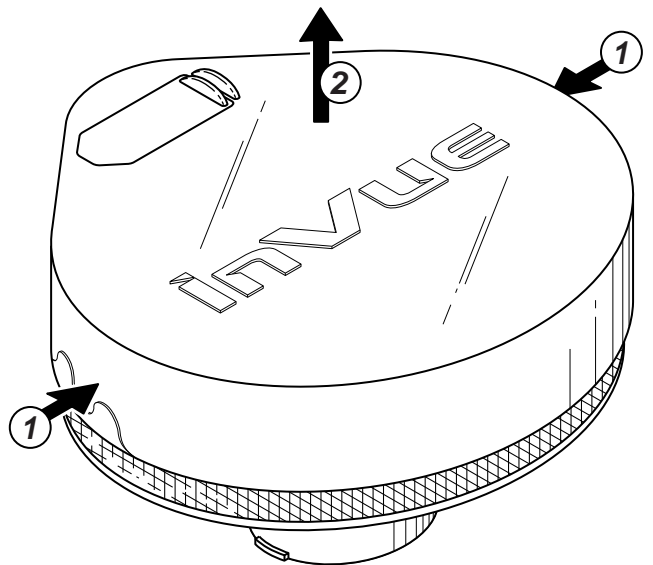


*PSA tape requires 24 hours  
to reach maximum  
adhesion.*

5

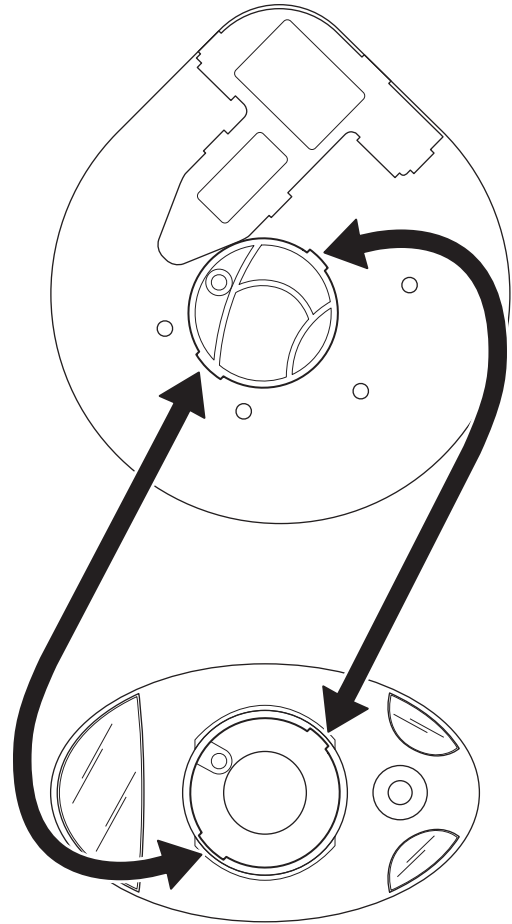
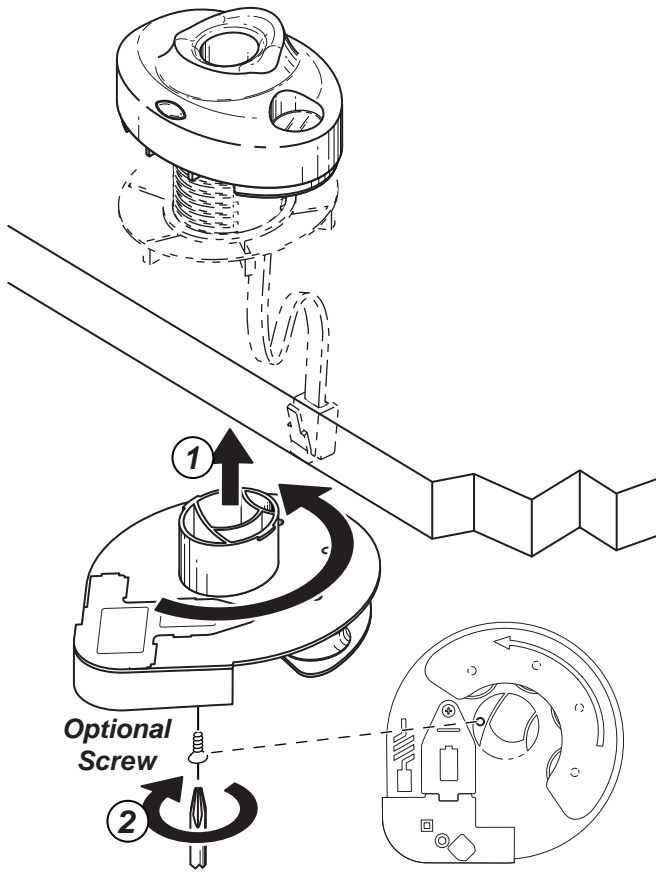


6

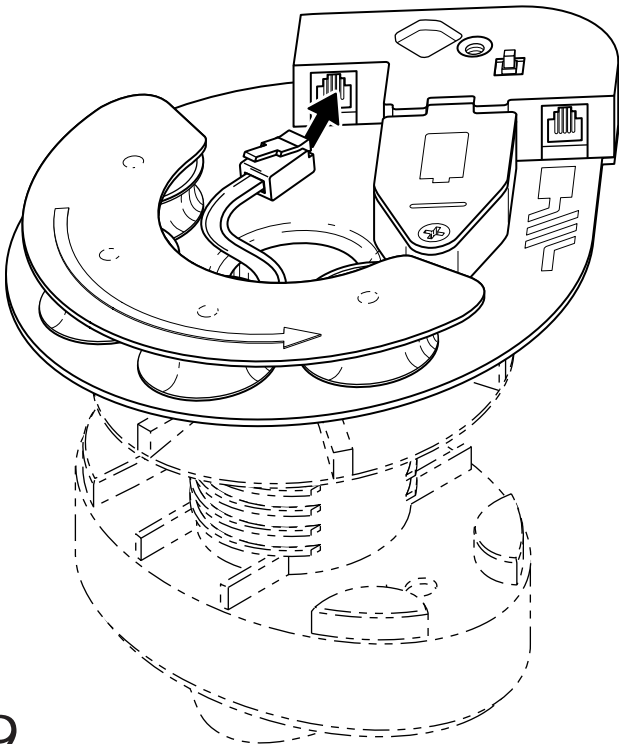


7

8



9

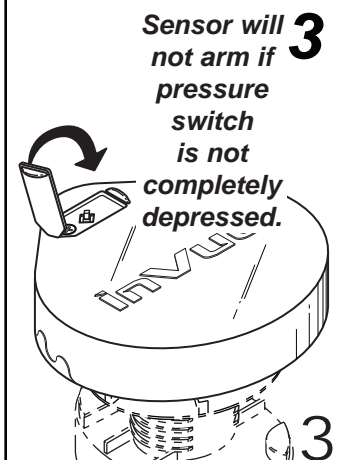
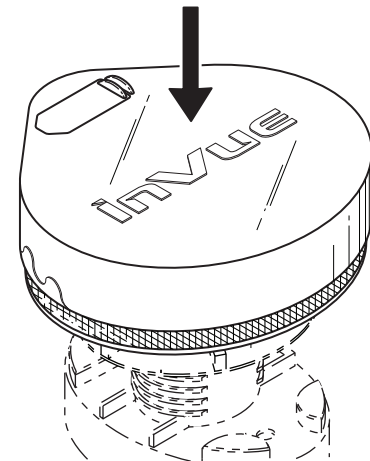
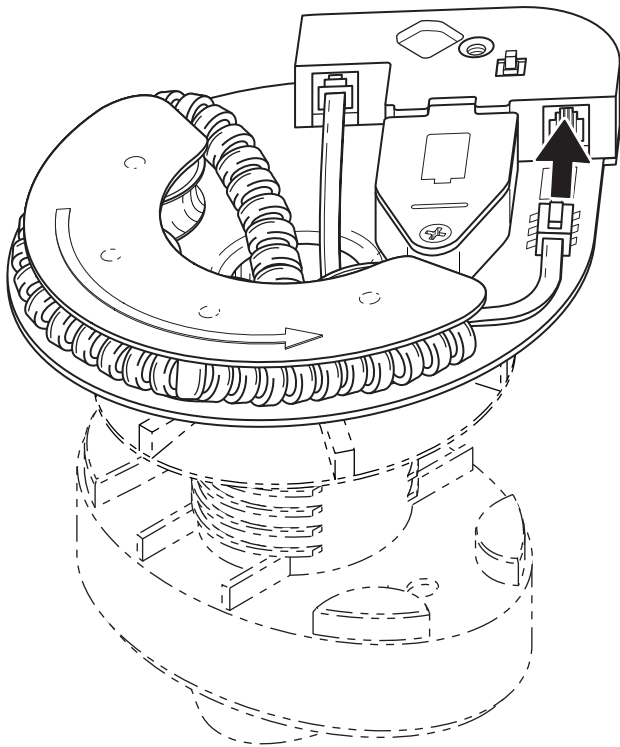
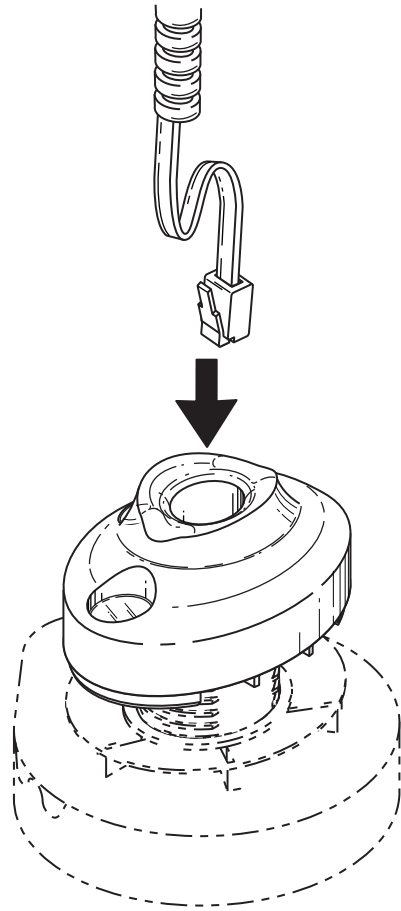
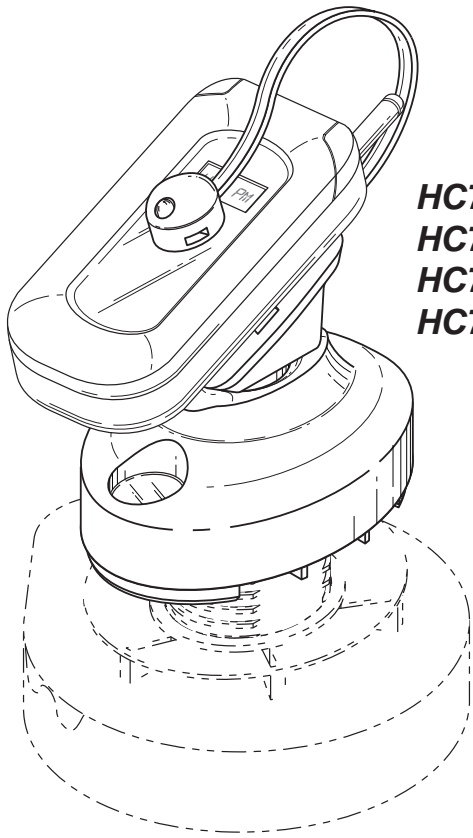


#### FCC Information

This device complies with part 15 of the FCC Rules. Operation is subject to the following conditions.

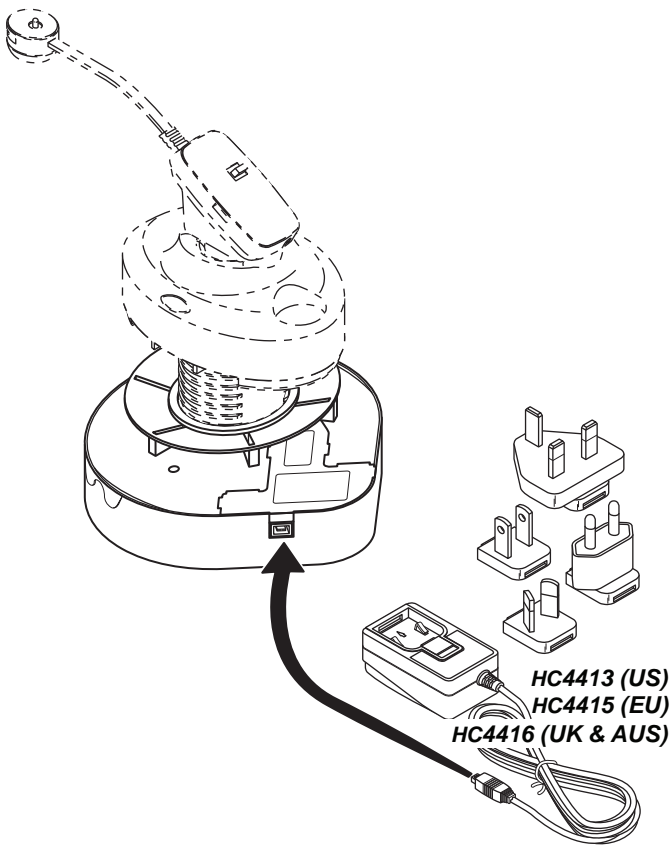
1. This device may not cause harmful interference.
2. This device must accept any interference received, including interference that may cause undesired operation.

# Attaching Merchandise

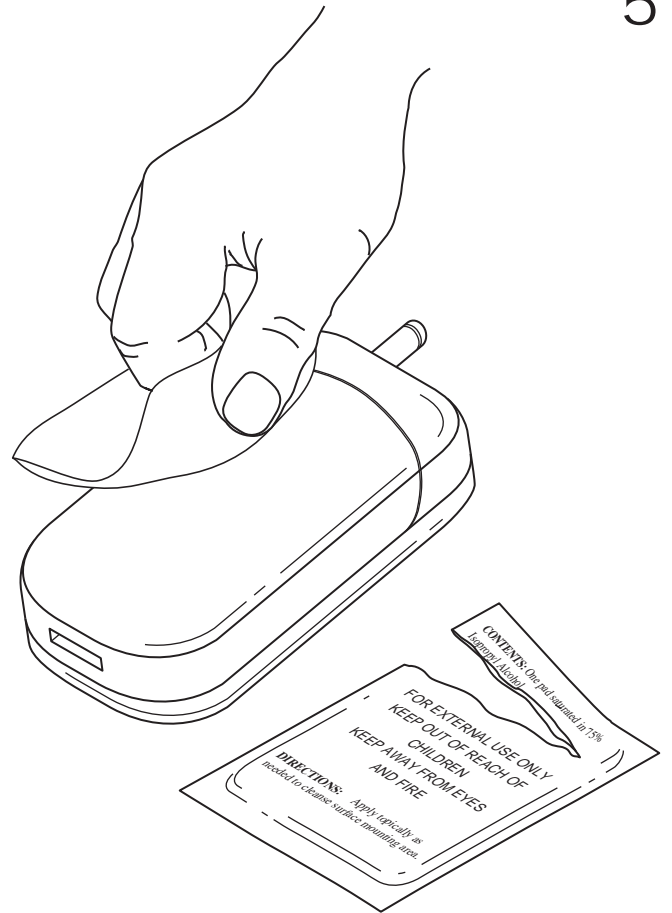


2

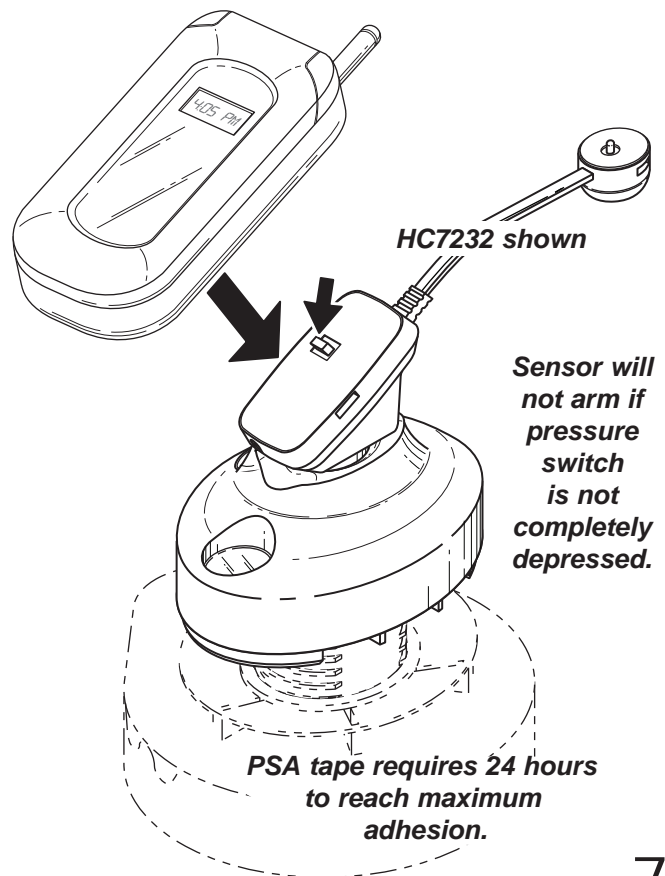
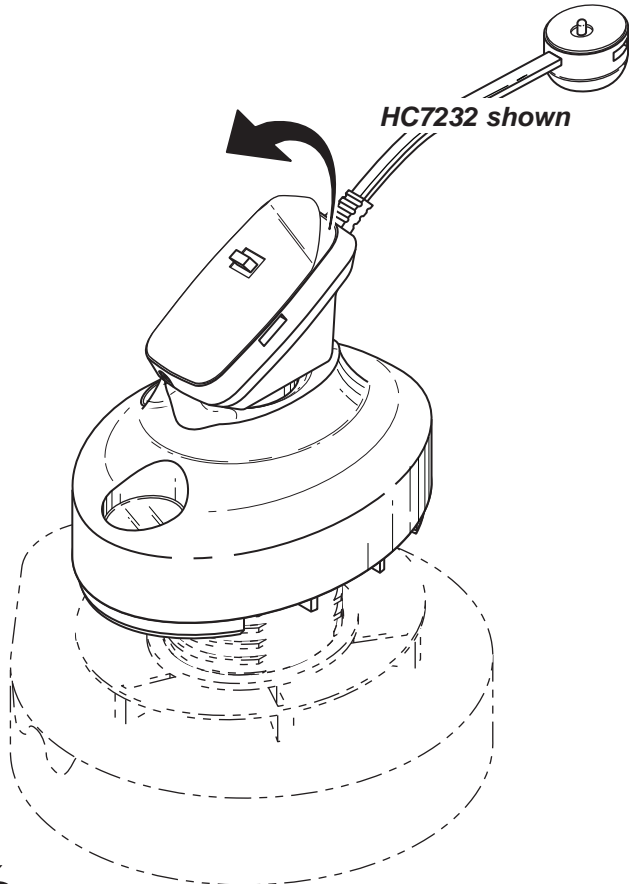
4



5



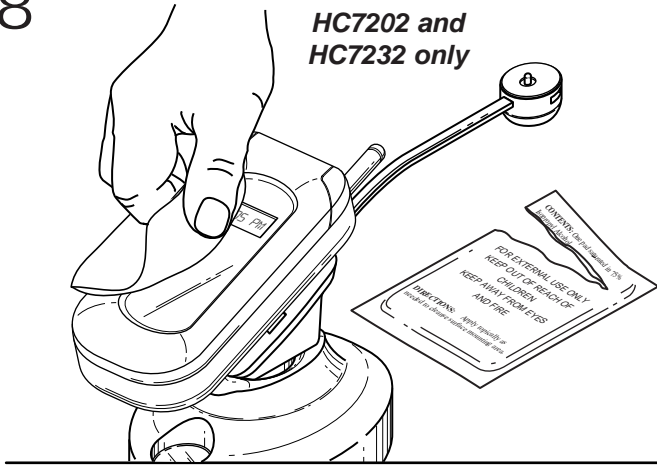
6



7

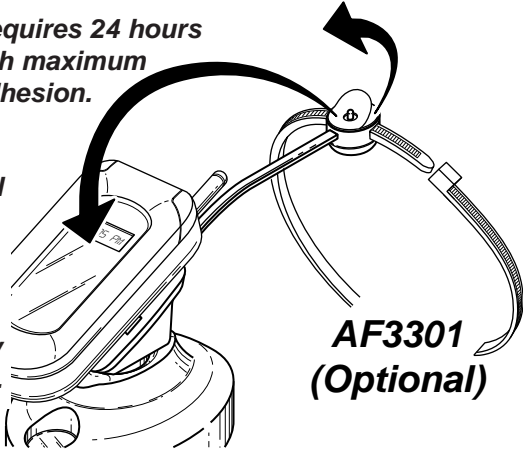
8

HC7202 and  
HC7232 only



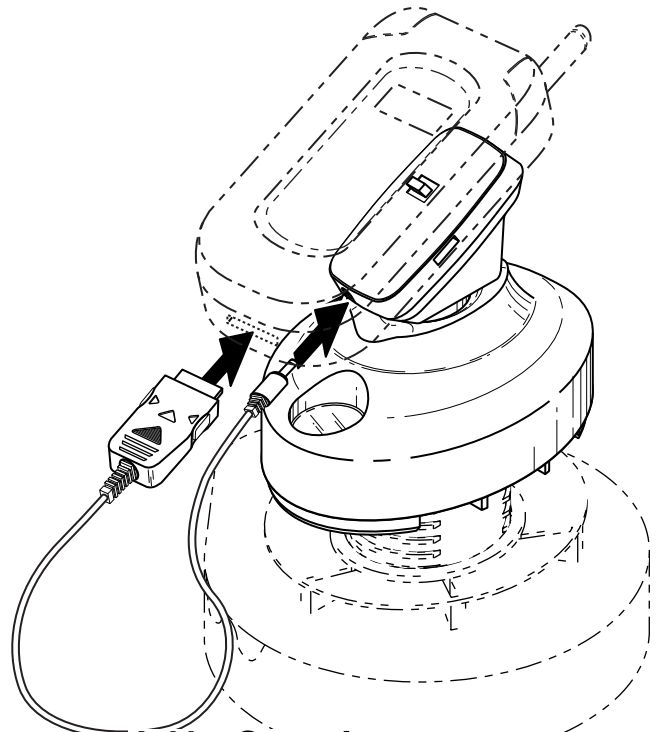
PSA tape requires 24 hours  
to reach maximum  
adhesion.

Sensor will  
not arm if  
pressure  
switch  
is not  
completely  
depressed.



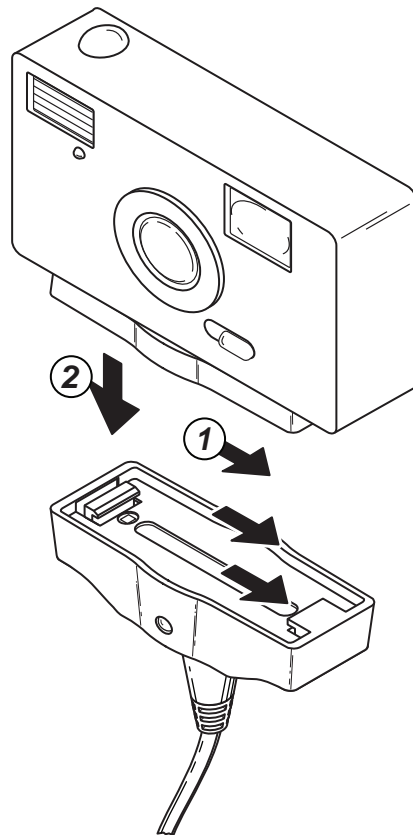
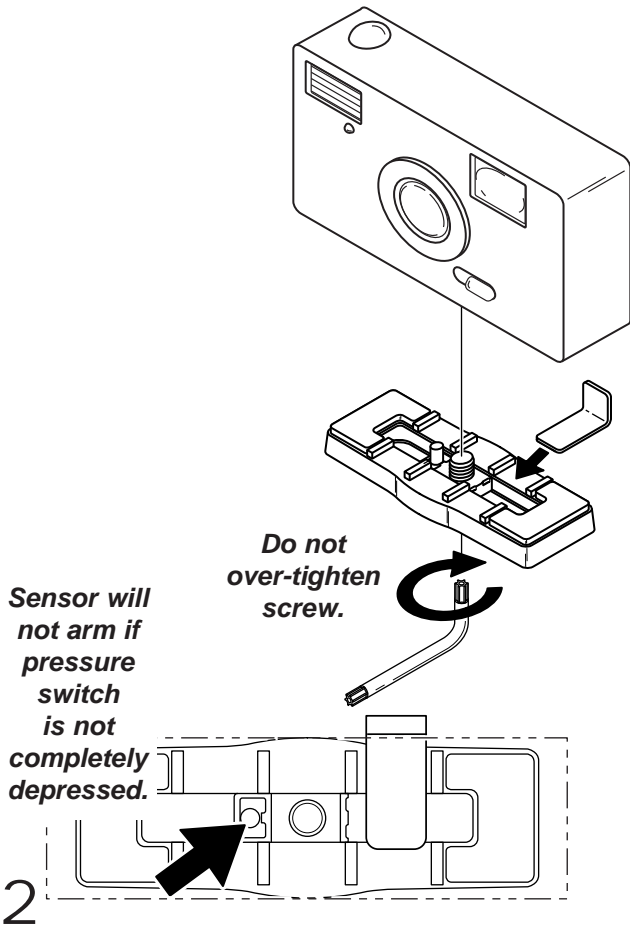
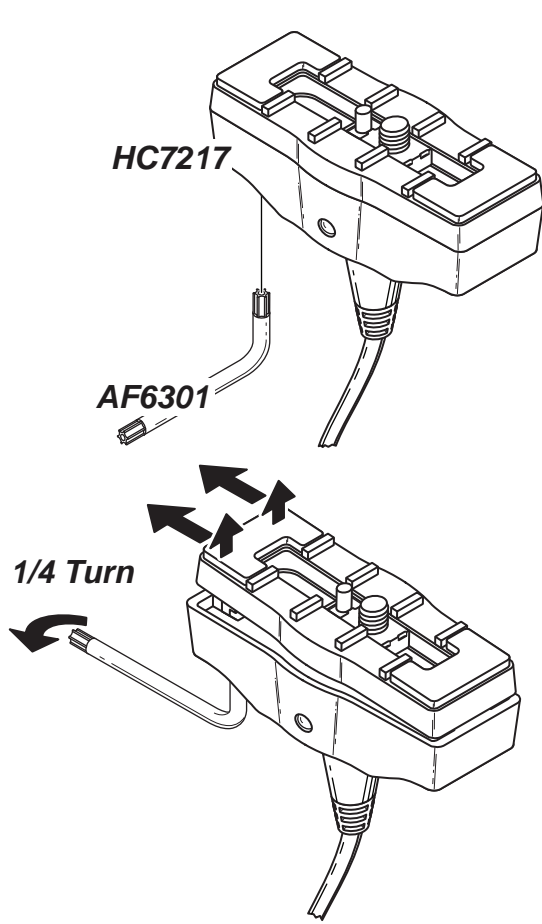
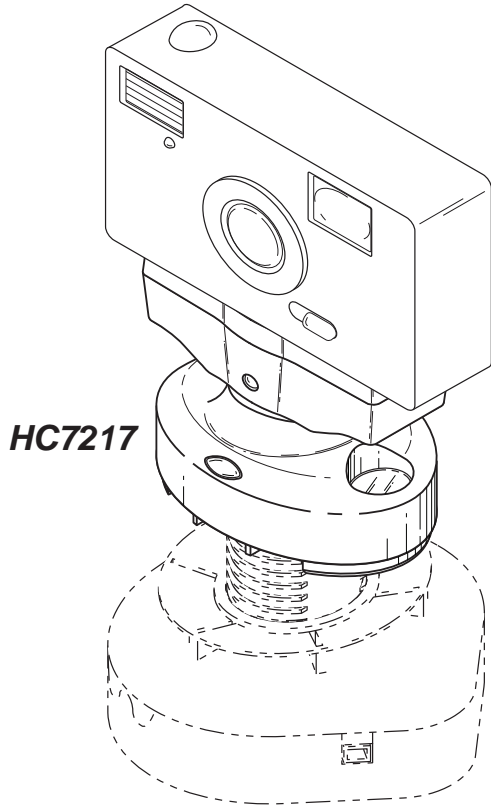
AF3301  
(Optional)

9

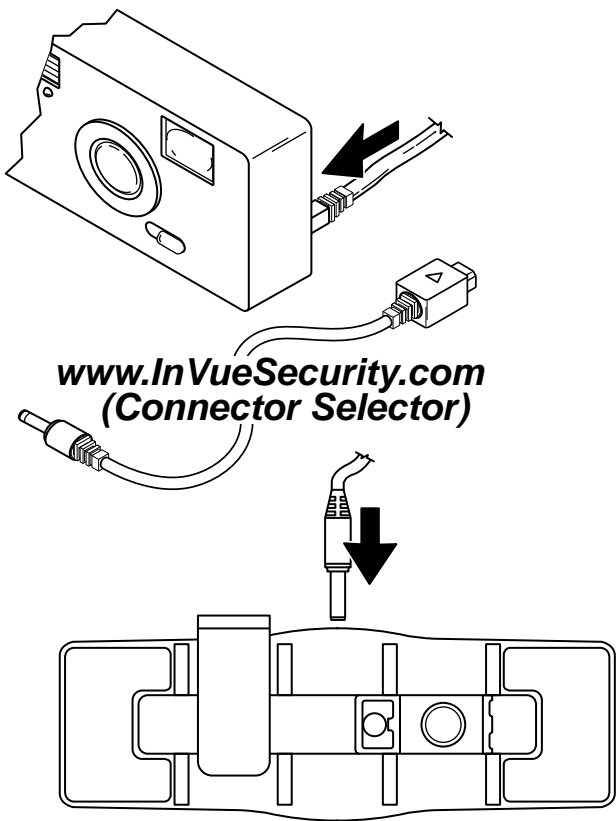


[www.InVueSecurity.com](http://www.InVueSecurity.com)  
(Connector Selector)

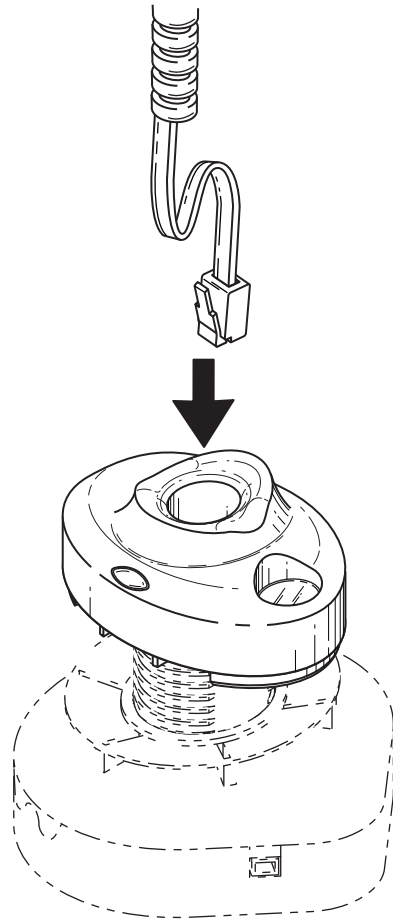
# Attaching Merchandise



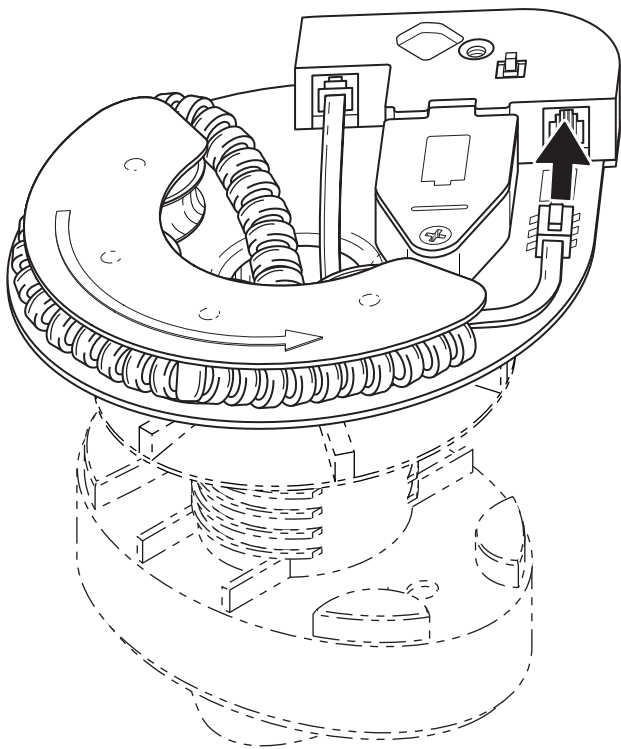
4



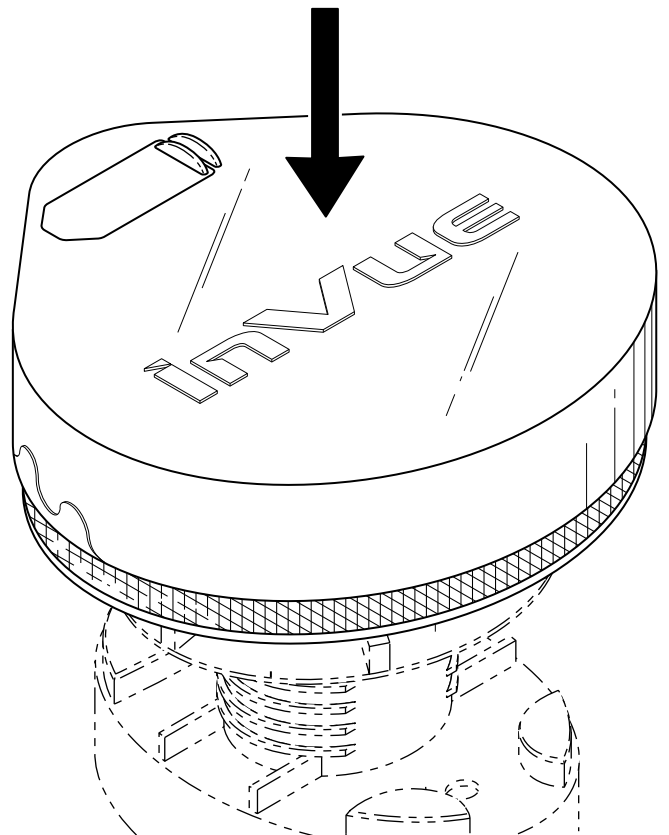
5



6

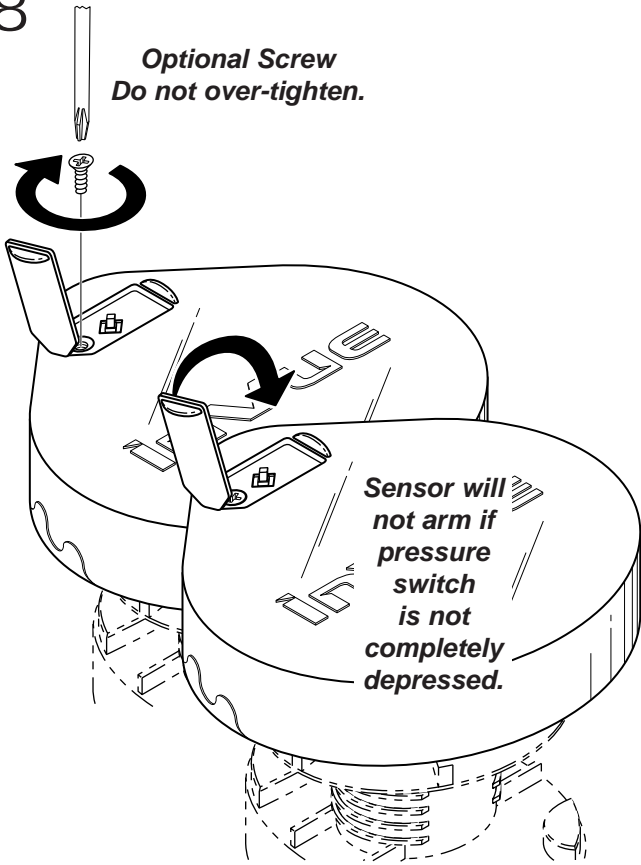


7

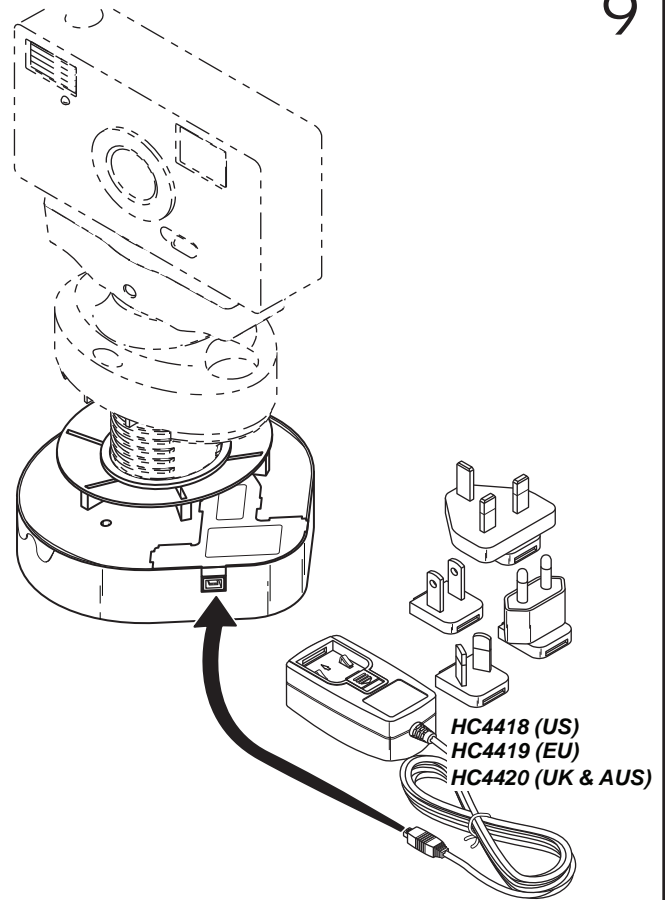


8

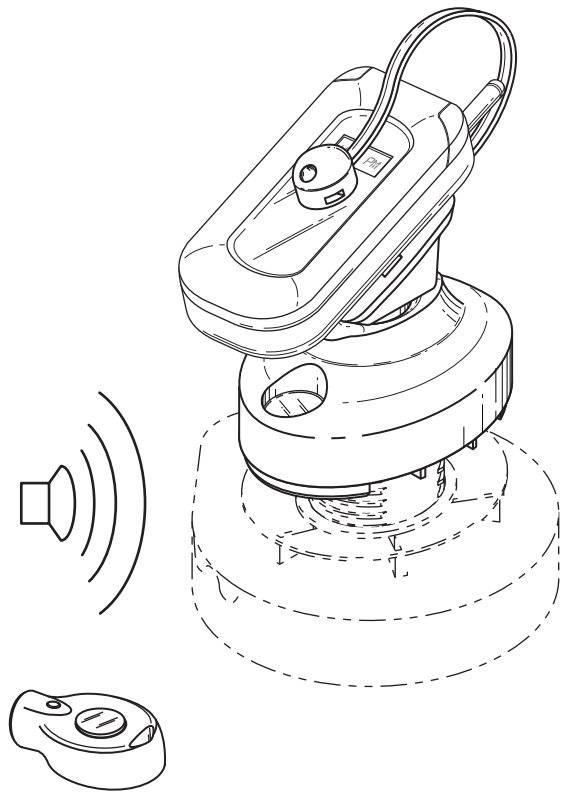
**Optional Screw**  
**Do not over-tighten.**



9

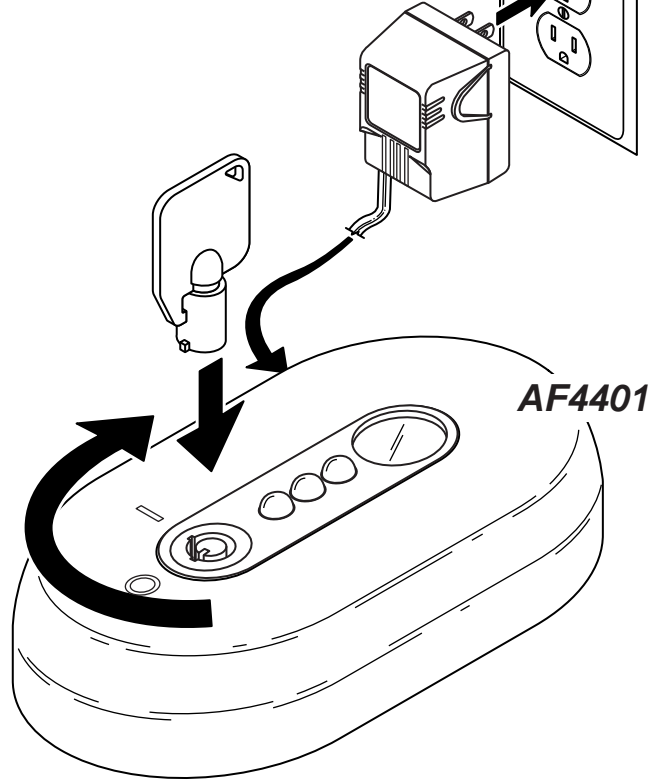


# System Key Arming

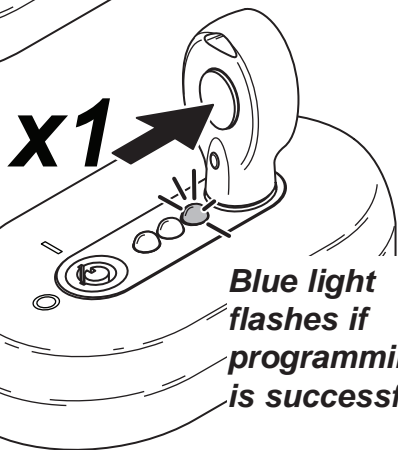
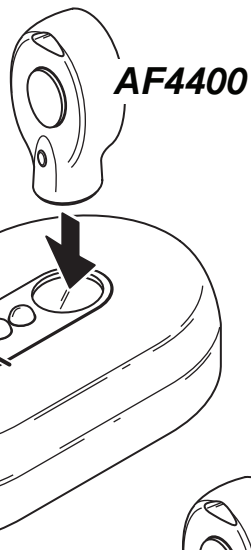


AF4402 (US)  
AF4403 (UK)  
AF4404 (AU)  
AF4405 (EU)

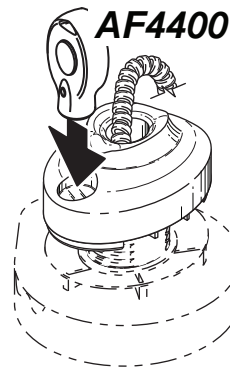
1



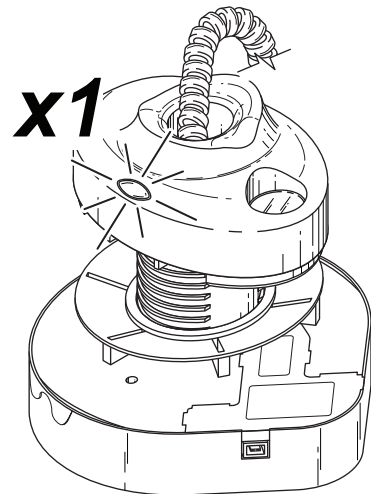
Green light  
flashes when  
unit is ON.



2



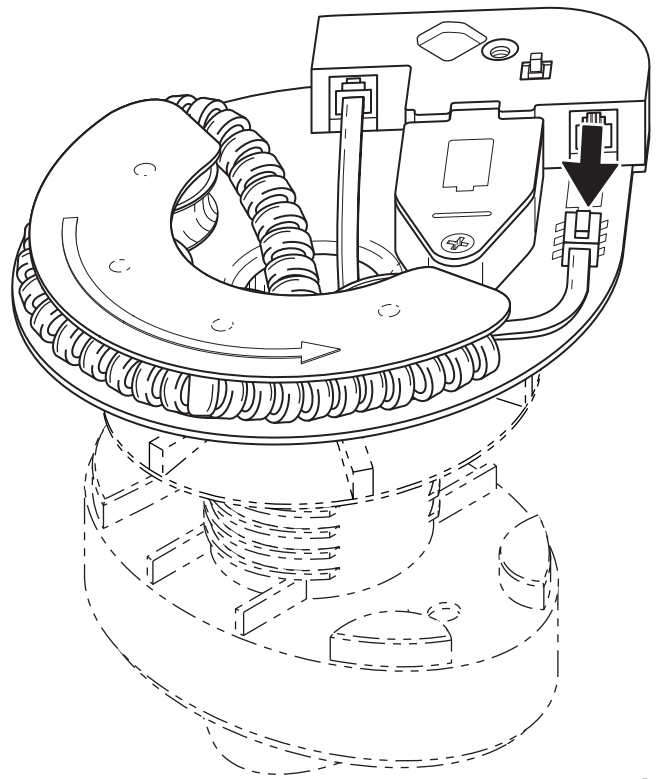
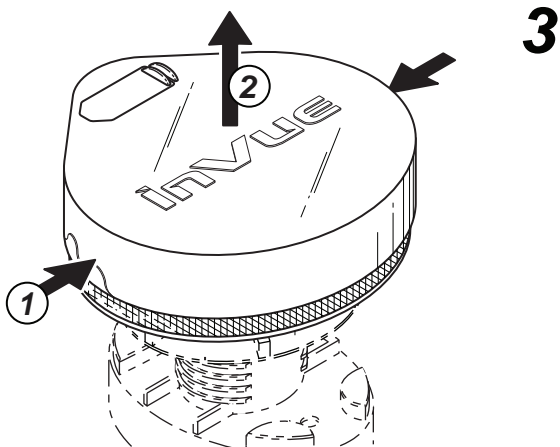
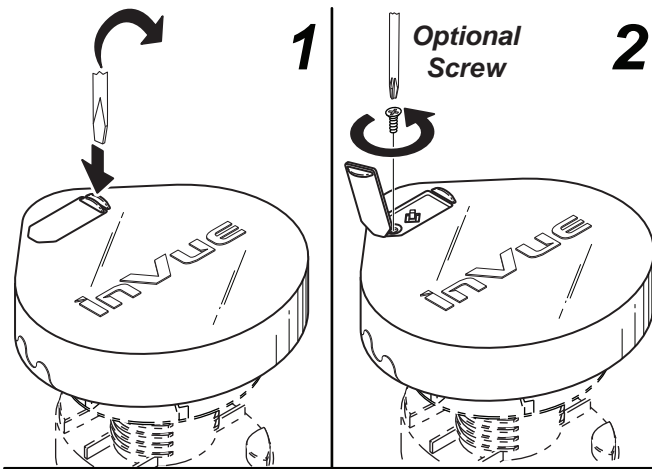
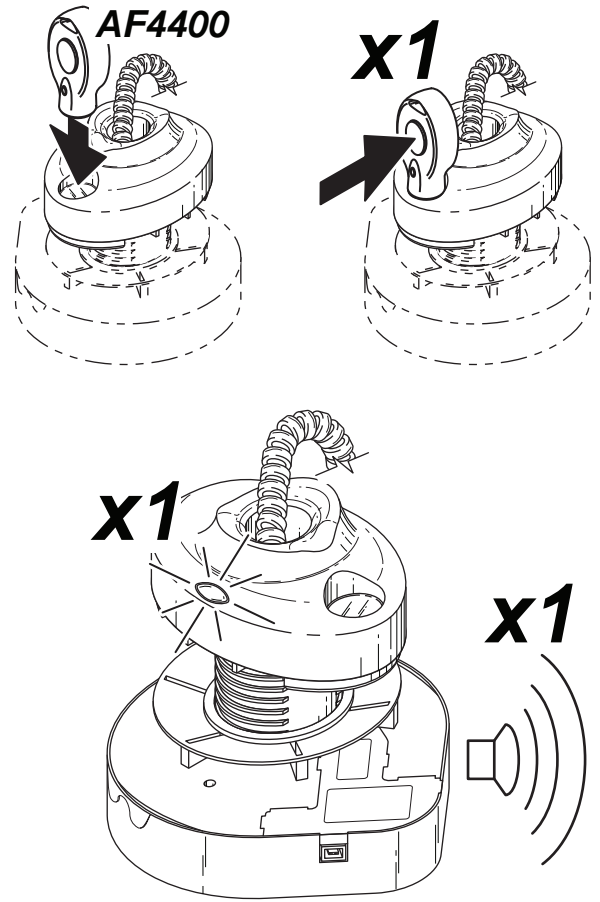
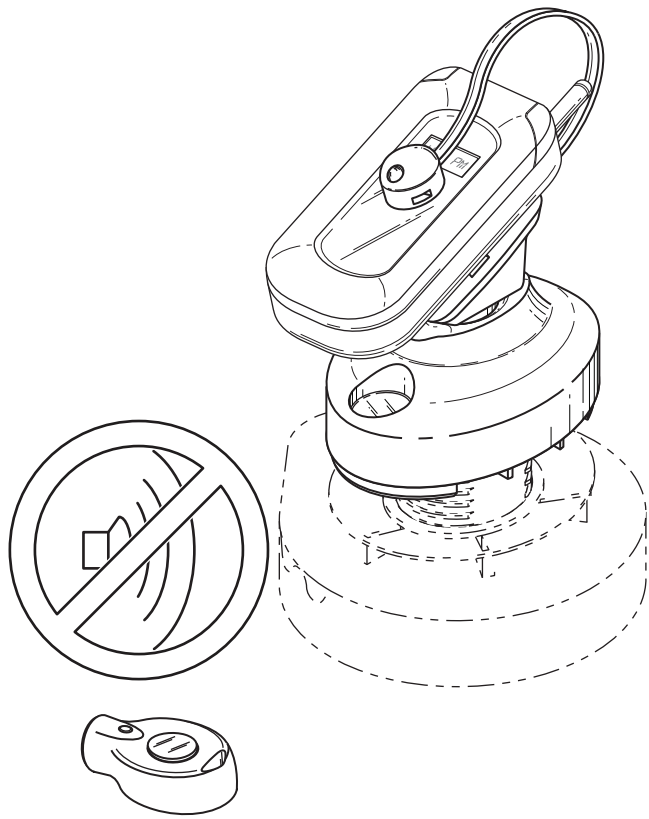
x1



x1

3

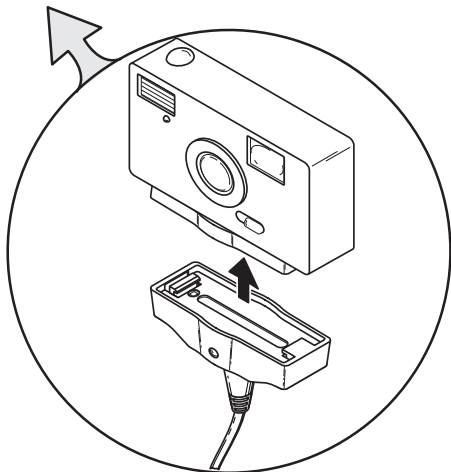
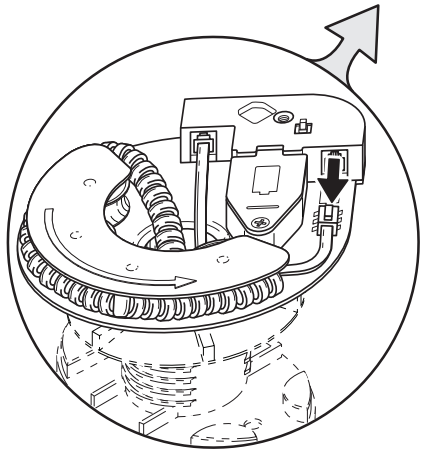
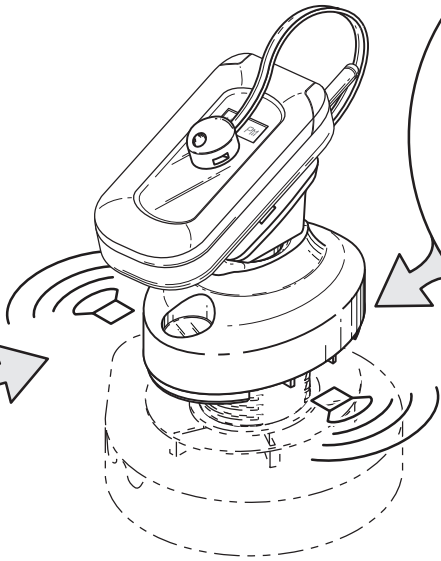
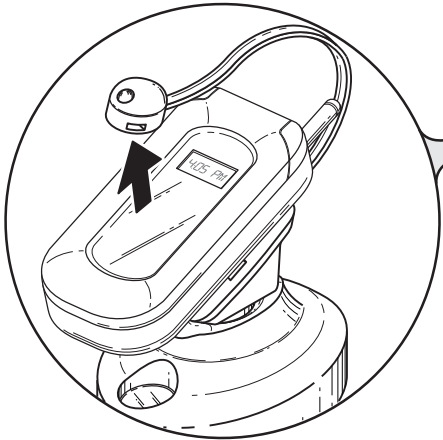
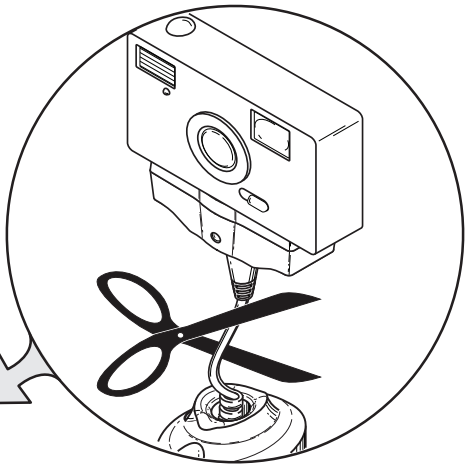
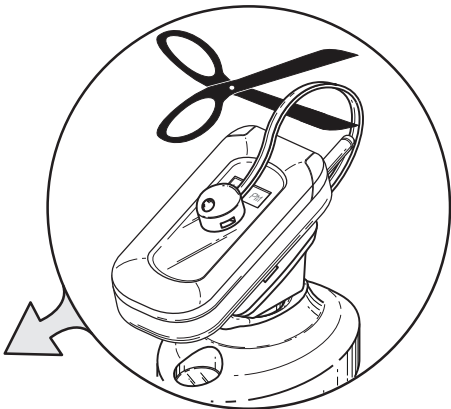
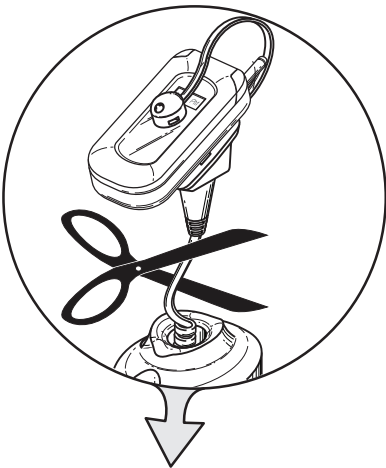
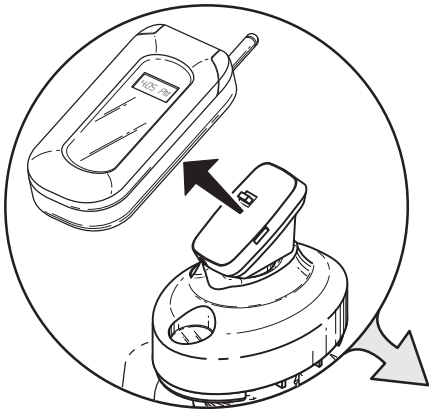
# System Key Disarming



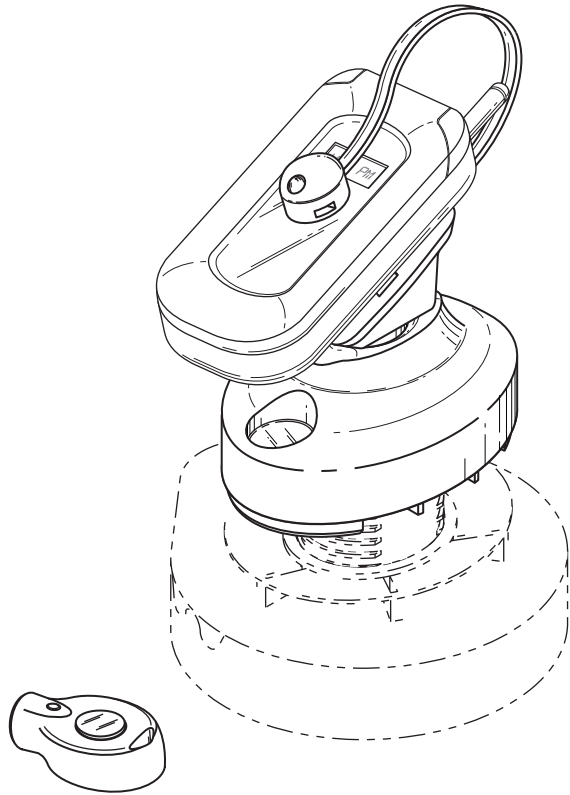
2

3

# Alarm Activation

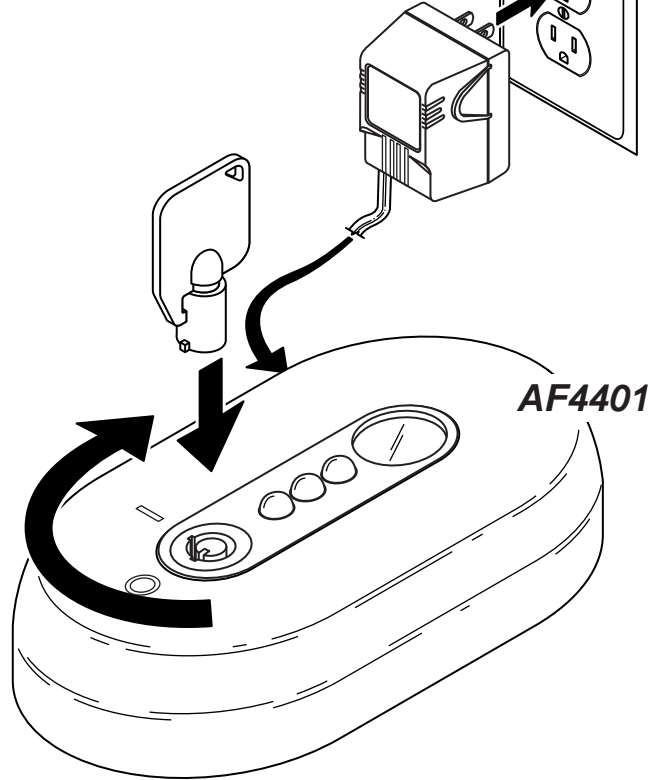


# Refreshing Key FOB

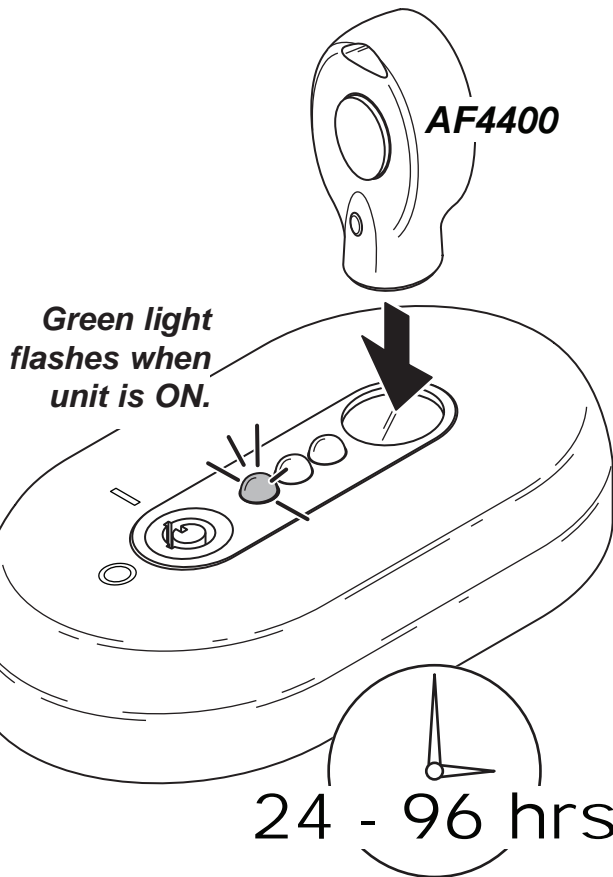


AF4402 (US)  
AF4403 (UK)  
AF4404 (AU)  
AF4405 (EU)

1



AF4401

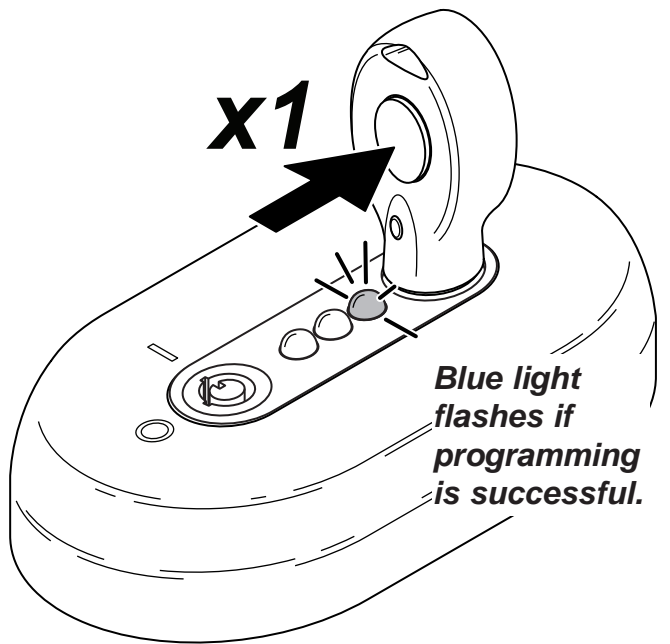


Green light  
flashes when  
unit is ON.

AF4400

24 - 96 hrs

2

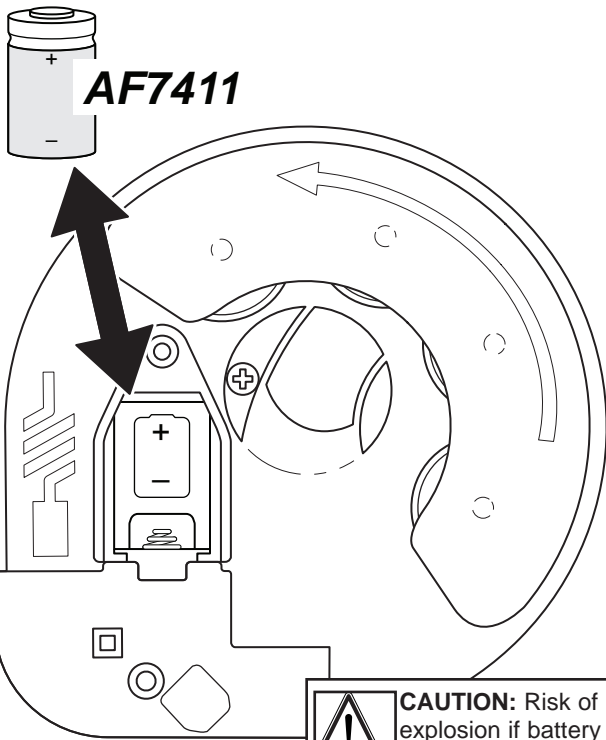


Blue light  
flashes if  
programming  
is successful.

x1

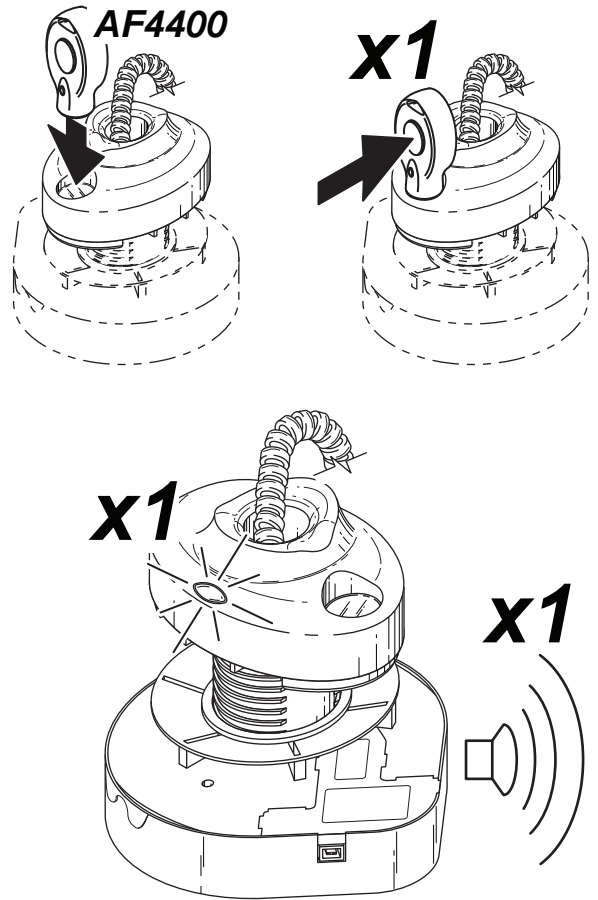
3

# Battery Replacement



**AF7411**

**CAUTION:** Risk of explosion if battery is replaced by an incorrect type. Dispose of used batteries according to the instructions.



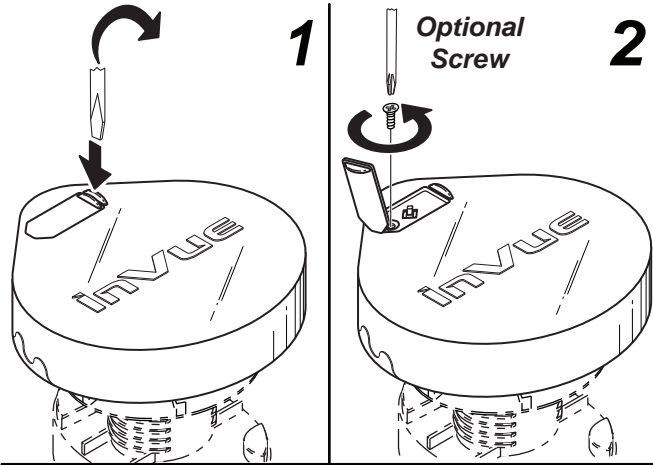
**AF4400**

**x1**

**x1**

**x1**

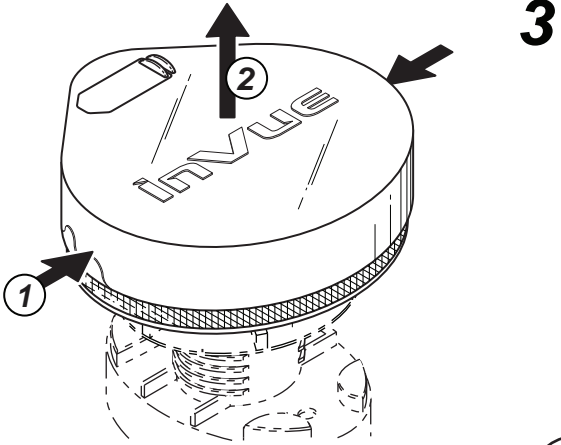
**1**



**1**

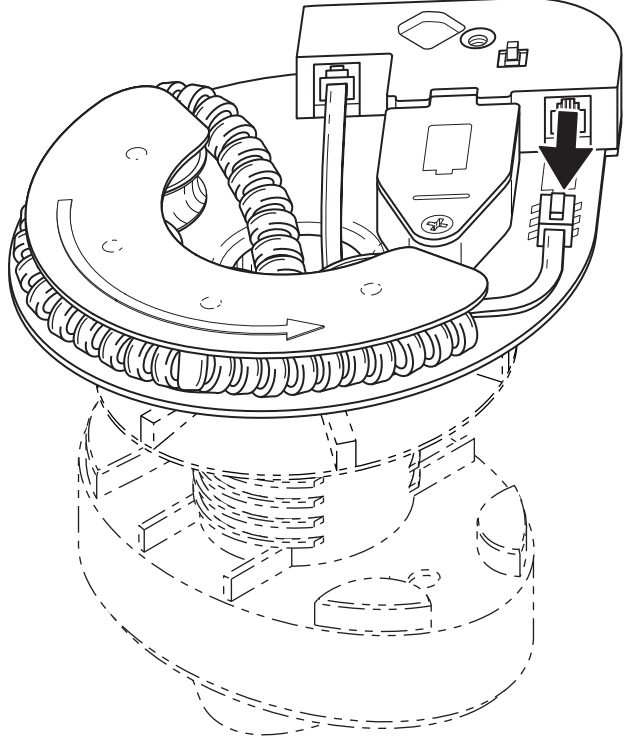
*Optional Screw*

**2**



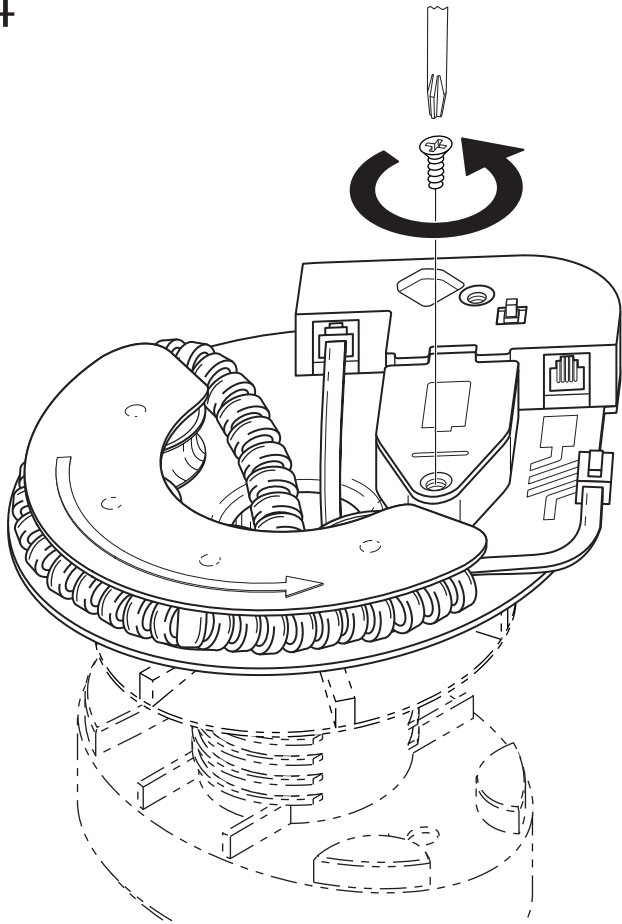
**3**

**2**

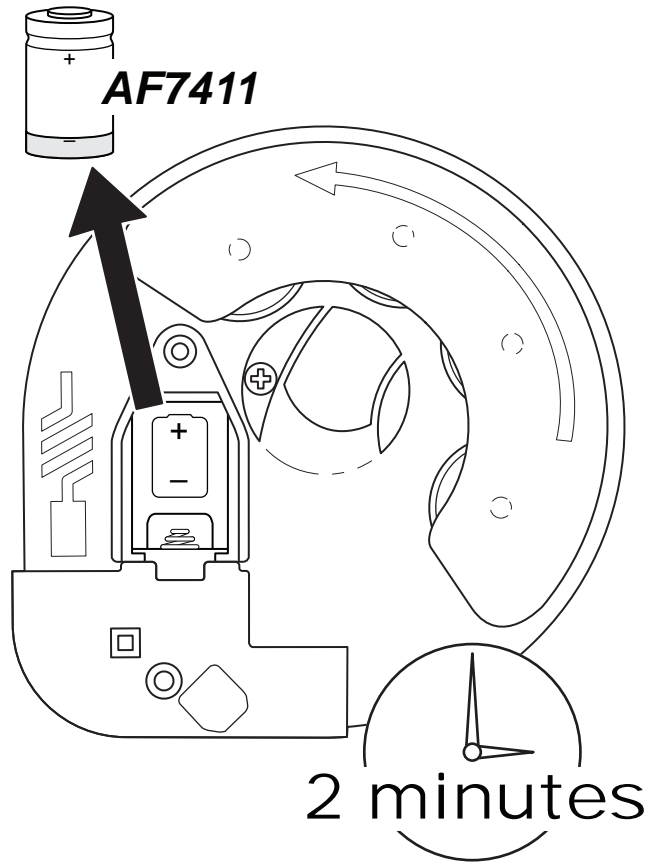


**3**

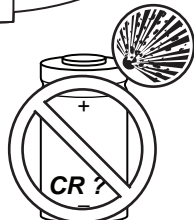
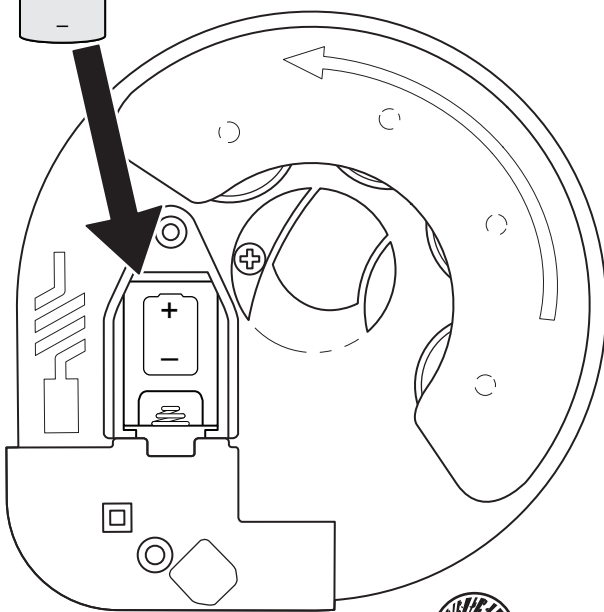
4



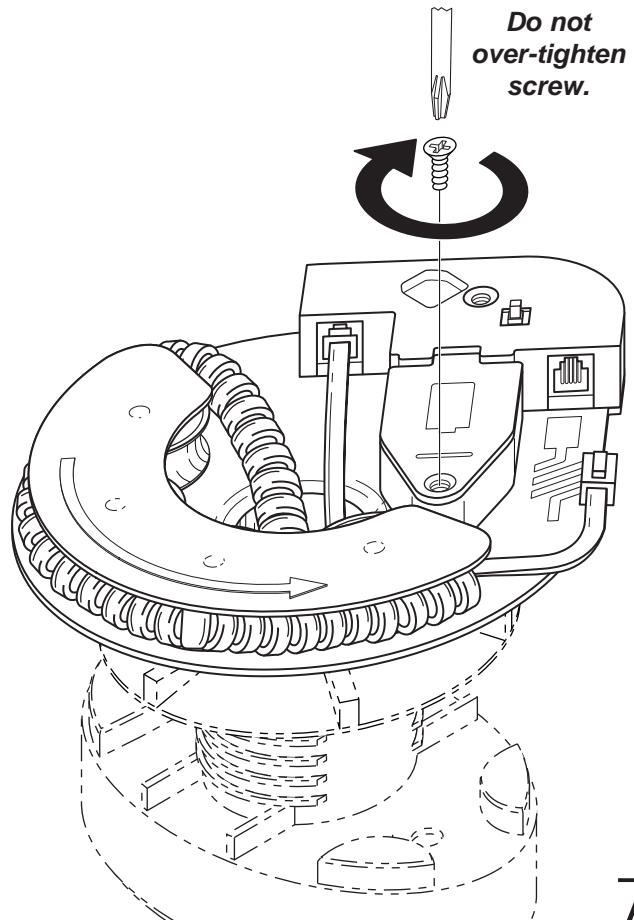
5



**AF7411** Use only AF7411 CR2 Replacement Batteries



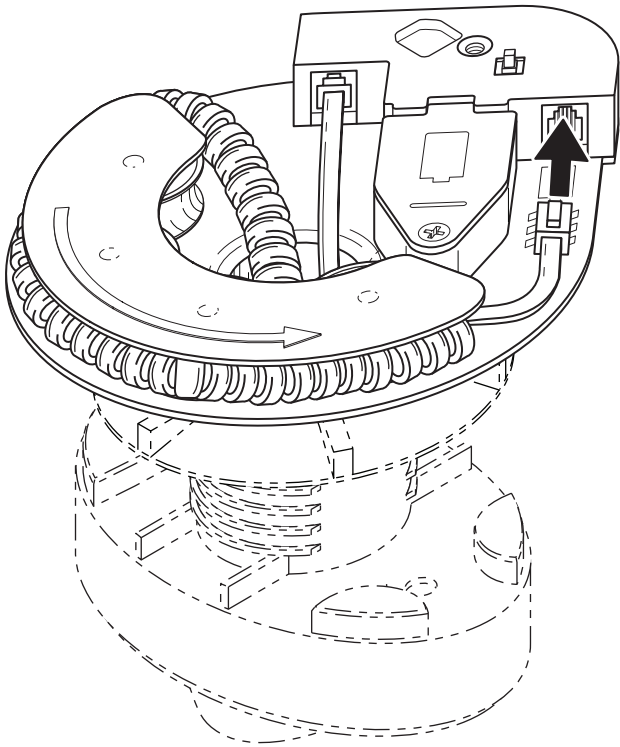
Do not over-tighten screw.



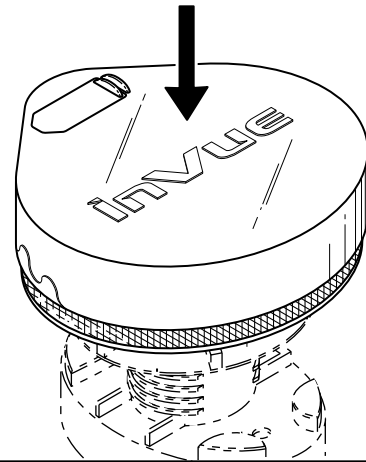
6

7

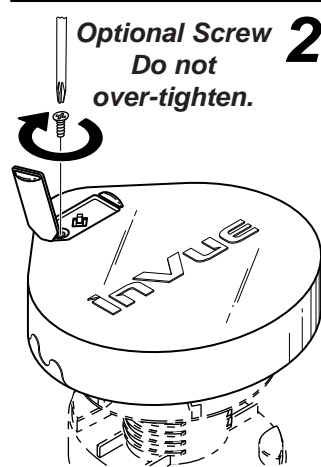
8



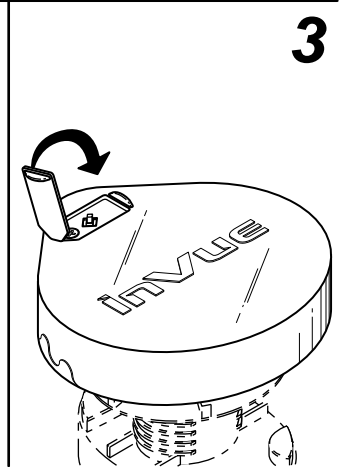
1



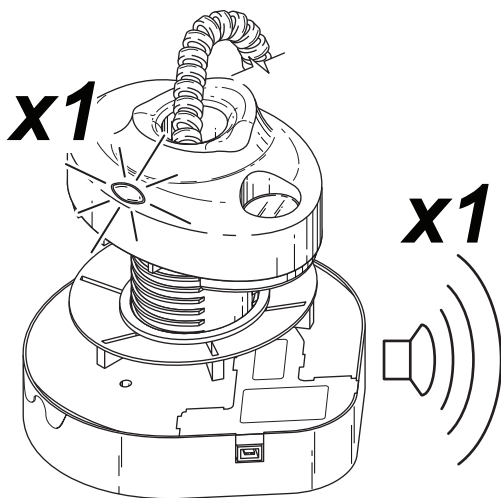
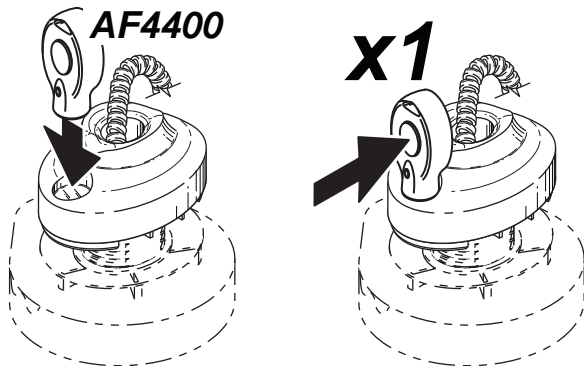
9



2



3



10

Mounting Template

