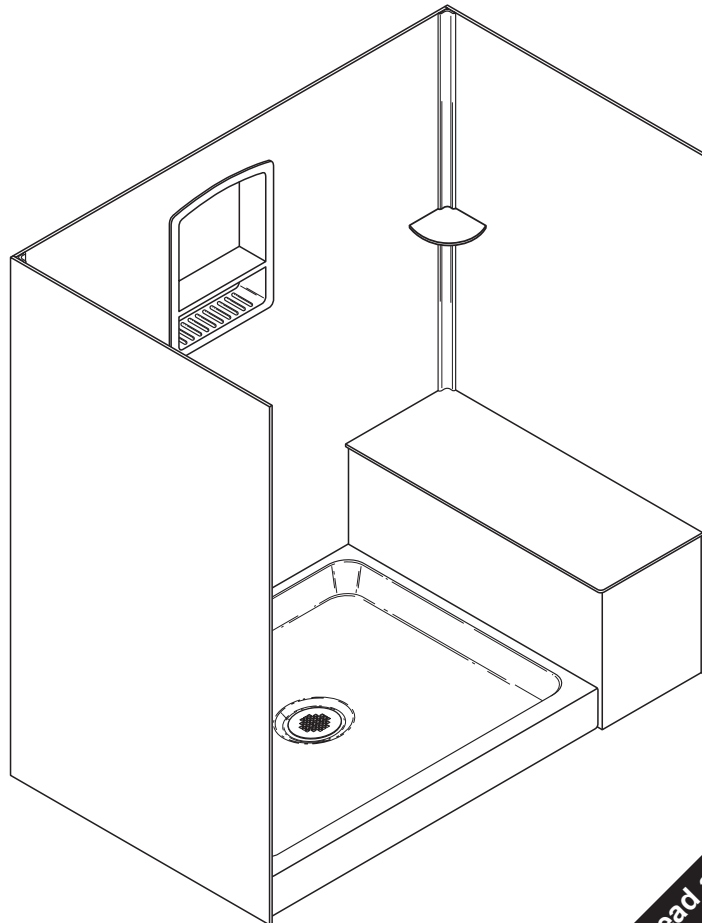




**Shower Base, Wall Panel,
Bench Seat, and Recessed
Shampoo Shelf**

BK-326072

- **Product Warnings**
- **Safety Guidelines**
- **Kit Contents**
- **Required Tools**
- **Preparation Tips**
- **Installation Procedure**
- **Cleaning & Maintenance**
- **Surface Repair**
- **Warranty Information**



**Read and Understand
Before Installing**

The Swanstone Assurance — if our product is properly installed and maintained, as stated in these instructions, it will not leak.

Remember - Safety First

IMPORTANT NOTICE

The Swan Corporation, the makers of the Swanstone Wall Systems and Panels, cannot anticipate every possible circumstance that might involve a potential hazard during the installation of our product(s). The warnings and instructions in this installation guide are, therefore, not all-inclusive. If a tool, installation procedure, or work method that is not specifically recommended by The Swan Corporation is used, you must satisfy yourself that it is safe. You should also make sure that the Swanstone product(s) will not be damaged by the methods you choose. The Swan Corporation will not be held responsible for water damage of any kind in connection with the installation of one of our Swanstone bath/shower/panel kits.

! WARNING

To avoid product damage, personal injury, or even possible death, carefully read, understand, and follow all the instructions in this installation guide before installing this product(s). Do not use cleaning fluids or operate power tools unless you read and understand the instructions and warnings in this and all other applicable labels or manuals. Proper use of tools and the products described in this guide is your responsibility.

WARRANTY

This product is covered by a Limited Lifetime Warranty. Refer to the Warranty section in this manual for complete details.

Save this manual for future reference.

Important information on cleaning, maintenance, and repair is contained within.

IMPORTANT NOTICE

IMPORTANT NOTICE: Indicates that equipment or property damage can result if instructions are not followed.



Read and Understand the Manual

It is the responsibility of any individual who installs or maintains this product to fully understand and follow proper installation and maintenance procedures. Be aware of the inherent dangers in the use of power tools when installing this product. Read and understand all Warnings, Cautions, and Important Notices in this manual.



Work Safely

DO NOT proceed if any doubt arises about the correct or safe method of performing anything found in this or other Swanstone manuals.

The installation of this product can require using power tools. Do not use power tools without adequate training. If necessary, hire or consult a trained professional for expert assistance before continuing.



Use Proper Tools

Always use proper tools which are in good, working condition during the installation of the Swanstone products. Using tools other than those listed could adversely affect the integrity of floors, pipes, walls, or this product and could result in water damage or other damage to floors, pipes, walls, or other portions of your building or home.



Do Not Use Nails

Do not use nails to secure the shower base or side panels to the framing. The panels mount to walls with clear silicone only. Only use the supplied or recommended clear silicone to mount this product. Never use hammers, nails, or screws which could adversely affect the integrity of this product. Nails and screws could puncture the Swanstone Wall Systems and Panels, resulting in water or other damage to floors, pipes, walls, or other portions of your building or home.



Inspect Before Cutting

Make sure no electrical wiring or plumbing is present before cutting into a wall to install any accessories.



Wall Conditions

Inspect the walls before installing the Swanstone panels. Never install panels over damp walls or an existing mold condition.

CAUTION

CAUTION: Indicates a potentially hazardous situation which, if not avoided, may result in minor or moderate injury. It may also be used to alert against unsafe practices.



Use Proper Installation Methods

Follow all instructions related to wall surface preparation. Failure to follow such instructions could cause the panels to detach from the wall surface after installation, resulting in personal injury. Failure to follow these instructions could result in water damage.



Lifting Hazard

According to the National Institute for Occupational Safety and Health, the recommended maximum safe lifting weight is 51 pounds, with all lifting conditions perfect—minimal forward reach, steady load close to the body, straight back, load between knees and shoulders, and good grips. To avoid personal injury, always use these proper lifting techniques and use two people to move heavy cartons. **The box containing the Swanstone kit weighs over 280 pounds.** Use the appropriate lifting devices to move the load. Always use two people when lifting heavy or bulky cartons. **DO NOT** attempt to lift objects that are too heavy, such as the BK326072 Side and Back Panels, which weigh 196 lbs.

WHEN CARRYING A HEAVY LOAD—GET HELP!



Slipping Hazard

Do not install this product in the presence of water. Installing this product without drying all surfaces, or in the presence of water, could cause you to slip and fall due to wet floors or spilled fluids. Personal injury can result from slips or falls. Before installation, dry all surfaces, including the floor, with a cloth or paper towel. Clean up all water or spilled fluids immediately.



Tripping Hazard

Personal injury can result from tripping over power cords, tools, or other items. **DO NOT** leave items laying around the work area.



Personal Protection

Be sure to use all personal protective equipment, such as sturdy work boots, preferably with steel toes, gloves, and hard hat, if necessary, to ensure your own safety. To prevent possible damage to your hearing, always wear ear protection, such as earmuffs or earplugs, when working around power tools.



Cutting Hazard

The installation of the Swanstone product may require using power tools. Keep hands away from the cutting edge of any tool used in the installation of our product. Placing fingers in or around the cutting blades could result in serious personal injury.



Sharp Edge Hazard

After cutting the edge of a Swanstone panel, it can be sharp. Wear protective gloves to prevent personal injury.



Room Temperature

Allow the Swanstone panels and silicone to adjust to room temperature for at least six hours before installation. The panels should be installed at temperatures not less than 65 degrees. Panels should not be installed in areas where the temperature may drop below freezing (32°F). Failure to follow this recommendation could adversely affect the silicone which holds the panels to the wall. If the panels are not correctly adhered to the walls, they may fall off, causing possible injury to someone in or around the shower enclosure.



Grab Bars

We recommend that shower compartments be equipped with support grab bars that comply with the most recent edition of ANSI-A117.1 requirements. Grab bars must be anchored to structural support (wall studs) behind the panels. Do not rely on the panels only for grab bar support!

! WARNING

WARNING: Indicates a potentially hazardous situation which, if not avoided, could result in serious injury or death.



Eye Protection

Be sure to use all personal protective equipment to ensure your own safety. To avoid eye injury, always wear protective glasses with side shields when using power tools. Also, make sure no one else can be injured by flying particles when using power tools.



Fire Hazard

Personal injury or death can result from a fire caused by flammable liquids or silicone. Cleaners or solvents can be highly explosive, resulting in personal injury or even death, when not used properly. Clean up any flammable substance immediately. Sparks or open flames can cause flammable substances to ignite. DO NOT smoke while working on or near any flammable substance.



Solvents Hazard

Follow all manufacturer's safety instructions for silicone and denatured alcohol. Alcohol vapors are both flammable and hazardous to breathe. Silicone vapors may irritate eyes and nose. Personal injury can result from improperly handling or use of products such as denatured alcohol. Always follow the manufacturer's recommendations for the safe use of these products. Ventilate any work area before beginning to apply silicone, cleaning agents, or solvents.



Fumes Hazard

The fumes from the silicone and solvents used by the installer can be harmful if used in an unventilated room. Always work in a well-ventilated area.



Dust Hazard

When cutting or drilling the Swanstone product, use a dust collection method which prevents dust particles from going into the air. Always work in a well-ventilated area. Always use an OSHA approved dust mask when cutting, drilling, or sanding Swanstone products.

! WARNING

WARNING: Continued



Power Tool Hazard

To prevent personal injury or possible death, always follow the electrical safety recommendations of the power tool's manufacturer. Do not use power tools in an unsafe manner. Power tools should only be connected to a circuit protected by a ground-fault circuit interrupter (GFI).



Shock Hazard

Never use electric power tools around water, condensation, or other liquids. Electric shock can cause severe burns, significant injuries, and even death. If an extension cord is required, always use an OSHA approved extension cord. Power cords should only be connected to a circuit protected by a ground-fault circuit interrupter (GFI).



Electrical Shock Hazard

Contacting live electrical wiring with power tools or hand tools can cause serious injury or death. Make sure all related circuit breakers are turned OFF. Test for live circuits or wiring inside any wall where installation of the Swanstone product requires cutting into a wall.



Electrocution Hazard

Water and other liquids conduct electric current and can create a short circuit, resulting in injury or death. Keep all liquids away from electrical cords and power tools. DO NOT create a short circuit between a source of electricity and a liquid by being in contact with both simultaneously.

General Information

Required Tools

- Circular saw with 60 to 80 tooth carbide blade
- Saber saw (straight up and down travel) with bi-metal blade (14 teeth per inch)
- Drill with 3/8" drill bit
- Hole saw for shower faucet/shower head
- Tape measure
- Masking tape (2" wide works best)
- Level
- Filler (thinset or mortar, if subfloor is not level)
- Stud finder
- Compass or dividers (scribe the panel to the wall)
- Caulking gun
- Clean paper towels or shop towels

Required Tools (continued)

- Clean paper towels or shop towels
- 2 x 4 lumber as required for bracing (see Bracing Instructions)
- Industrial grade, hot glue gun and glue sticks (optional)

Kit Contents

Confirm that all parts of this kit have been included before beginning installation.

BK-326072 Shower Wall Kit

(77-1/2 long x 64-3/4 wide x 4" thick; 196 lbs.)

- 2 — Sides (33-1/8 x 72")
- 1 — Back (59 x 72")
- 2 — Corner Trim Pieces (1-1/8 x 72")
- 2 — Swanstone Soap Dishes
- 4 — Cartridges of clear silicone for back and side panels
- 1 — Tube of color matched 100% silicone sealant for corners, corner moldings, and recessed shelf
- 1 — Tube of white silicone sealant for caulking around the outer perimeter of shower

SS-29 Installation Kit

(13-3/4 long x 13-3/4 wide x 3-1/8" thick; 7 lbs.)

- 4 — Cartridges of clear silicone sealant for back and side panels
- 1 — Tube of color matched 100% silicone sealant for corners, corner moldings, and recessed shelf
- 1 — Tube of white silicone sealant for caulking around the outer perimeter of shower

SB-1248 Bench Seat Kit

(51-5/16 long x 14 wide x 1-9/16" thick; 16.5 lbs.)

- 1 — Seat Panel (12-3/4 x 48")

RS-2215 Recessed Shampoo Shelf

(26-3/4 long x 19-1/2 wide x 6-3/4" thick; 13 lbs.)

- 1 — Shelf Unit
- 1 — Tube of color matched 100% silicone sealant

SS-3248 Shower Base Kit

(54 long x 38 wide x 10" thick; 49 lbs.)

- 1 — Base Unit
- 1 — Caulk Seal Gasket
- 1 — Strainer Plate

Unpackaging

- Use care when opening the box so that you do not damage the panels.
- This product is shipped to you or your retail center after careful inspection. After purchasing the kit, carefully unbox and inspect the product for any shipping damage that may have occurred. If damage is found, report it immediately to the store of purchase. After inspection and during installation, protect the products from construction damage by moving them to another room or area until ready to install.
- Store panels on a flat surface to avoid warpage until the time of installation. Do not store the panels outside of the original packaging in a vertical position.
- Please use the model number located on the side of the box or the front of this manual when contacting us with questions concerning the installation of this unit.
- Make sure the shower base is the correct size and is in good condition. Installation of a damaged product will void the warranty.

Helpful Hints

- Read these instructions carefully and familiarize yourself with the various parts of the kit.
- The variety of installations possible for this kit may require procedures other than those shown. Ensure construction is correctly sized, plumb, and square.
- Save the large cardboard box for protection of the shower floor during the installation process and to use as a template for cutting the back shower wall panel.
- Allow sufficient time for the parts in this kit to adjust to room temperature. We do not recommend installation of this product at temperatures below 65 degrees.
- Sawhorses with 2 x 4 cross-members or a worktable is helpful during the installation process.
- Always transport the panels vertically. Use care when laying the panels flat to prevent flexing, especially when panels have a cutout in them.
- Store unused materials away from the work area to prevent accidental damage.
- If the shower is placed over a garage or on an outside wall, care must be taken to ensure that the shower is properly insulated from cold temperatures.

Preparation Tips

- Measure the width of the back wall (with green board installed). This measurement cannot exceed the width of the Swanstone back panel. If the wall opening is too large, other methods or two panels will be required to cover the wall.
- Turn off the hot and cold water supply.
- Remove faucet handles, escutcheons, filler spouts, and/or anything mounted to the wall (i.e. towel bars, soap dishes, etc.).
- Always measure the location of the plumbing cutouts from the back wall forward and from the ledge of the shower base upward.
- Ensure all plumbing or electrical work inside the walls is finished prior to installation of the wall panels.
- Prepare the area with 1/2" (13 mm) moisture-resistant drywall, marine grade plywood, or concrete board. Never install our products directly on any surface that is, or may become, wet or damp.
- Make sure the drain hole (6" diameter) in the subfloor or slab is large enough and aligns with the hole in the shower base.
- Make sure the subfloor under the shower base is level in both directions. The shower base must be level when installed. Improper installation will void the warranty.
- Trial fit the side panels before you begin. Swanstone panels have a finished side and a nonfinished backer side. The Swanstone panel has a sticker or stickers attached to the nonfinished backer side and, upon installation, should be placed against the sub-wall.
- Walls must be solid, plumb, and square within 1/8" of true. Shim or trim the opening, as required. This kit has been designed with some adjustability for minor alignment problems.
- The mounting surface must be free of dirt, film, waxes, or any other residues.
- If you are installing a recessed accessory, cut the hole after the panel is installed and fully supported by the wall. Remember to position the accessory between the wall studs.

Caulking Tips

- Follow the instructions on the caulking tube.
- When job is complete, inspect all caulked areas for gaps and fill as needed.
- Clean up any excess silicone that was missed using denatured alcohol and a clean cloth.
- Be very careful not to disturb caulk joints.

Instructions for Covering Pre-Existing Wall Surfaces

Swanstone panels can be installed over a variety of products. If you intend to apply the panels to any surface, other than those described, consult with a professional contractor. Use the following sections when installing this product over:

- SHEETROCK/GREENBOARD/CEMENTBOARD/ WOOD
- PLASTER
- CEMENT/CONCRETE
- OLD TILE
- WALLPAPER
- MASONITE

Sheetrock, Greenboard, Cementboard, or Wood

- Surface must be dry, smooth, and free of any dust, soap scum, or any other contaminants.
- To ensure proper adhesion of the Swanstone product, the wall surface must be sealed with a water or oil-based primer/sealer.
- After the primer/sealer is completely dry, complete the installation following the instructions in this manual.

Plaster

Depending on the condition of the existing wall surface, additional clear silicone may be required to ensure contact between the substrate and the wall panel.

- Sand textured or swirled finishes smooth.
- Clean the wall surface with a damp cloth to remove any dust, soap scum, or any other contaminants. The wall surface must be dry and smooth.
- To ensure proper adhesion of the Swanstone product, the wall surface must be sealed with a water or oil-based primer/sealer.
- After the primer/sealer is completely dry, complete the installation following the instructions in this manual.

Cement/Concrete

Depending on the condition (flatness) of the existing wall surface, additional clear silicone may be required to ensure contact between the substrate and the wall panel.

- To ensure proper adhesion of the Swanstone product, the complete area must be sealed with two coats of water or oil-based primer/sealer.
- After the primer/sealer is completely dry, complete the installation following the instructions in this manual.

Old Tile

Depending on the condition of the existing wall surface, additional clear silicone may be required to ensure contact between the substrate and the wall panel.

IMPORTANT NOTICE

Old ceramic tiles, if solidly adhered, do not need to be removed. All plastic tiles must be removed.

- Remove or reattach any loose ceramic tiles. Old tiles and front edge ceramic tiles should be reset for appearance only.
- Remove any tile accessories attached to the walls.
- Remove the bottom row of tile and cut a ventilation gap in the substrate.
- Surface must be dry, smooth, and free of any dust, soap scum, or any other contaminants.
- Complete the installation following the instructions in this manual.

Wallpaper

- All wallpaper must be removed from the area being covered. Clean the wall surface to remove any dust, soap scum, or any other contaminants. The wall surface must be dry and smooth.
- To ensure proper adhesion of the Swanstone product, the complete wall surface must be sealed with two coats of water or oil-based primer/sealer.
- After the primer/sealer is completely dry, complete the installation following the instructions in this manual.

Masonite

- Clean the wall surface to remove any dust, soap scum, or any other contaminants. The wall surface must be dry and smooth.
- To ensure proper adhesion of the Swanstone product, the wall surface must be sealed with a water or oil-based primer/sealer.
- After the primer/sealer is completely dry, complete the installation following the instructions in this manual.

Followed carefully, these installation instructions will result in an easy, trouble-free installation of your Swanstone product. Any deviations, additions, and/or deletions from the prescribed installation, without prior written approval of our Customer Service Department, will void the warranty covering this product. Not following the directions could also result in personal injuries, water damage, and other damage to floors, pipes, walls, and other portions of your building or home.

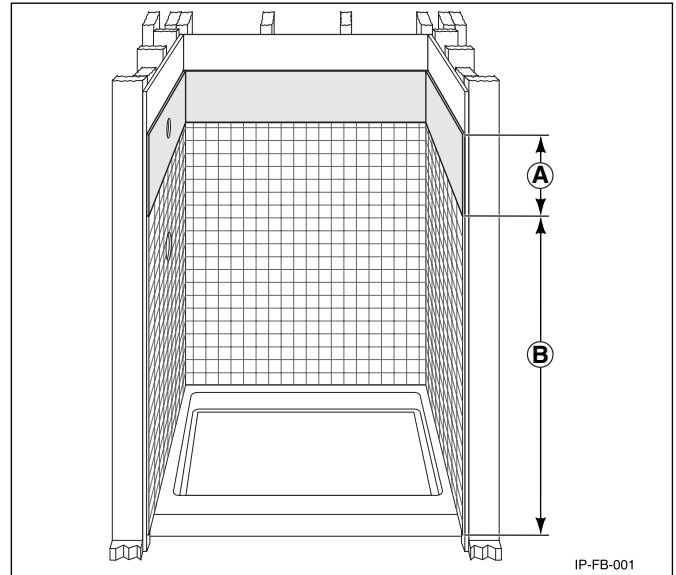
Disclaimer

- The information contained in this Installation Manual is given free of charge. It is based upon technical data which we believe to be reliable and is intended for use, by persons having knowledge of this technical area, at their own discretion and risk. Swanstone assumes no responsibility for results obtained or damage incurred from the use of this material either in whole or in part by the buyer.
- This manual will give you basic instructions for the installation of the product in a step-by-step sequence that will work in most types of installations. If you have an installation application that is not covered in this manual, please call your local Swanstone distributor or contact the Swan Corporation directly for additional information about your application.
- Follow all installation instructions. Failure to follow these instructions could result in personal injuries, water damage, or other damage to floors, pipes, walls, or other portions of your building or home.

Filler Boards

If an existing wall covering (i.e. tile) does not extend to a height equal to the height of the panel, it will be necessary to install a filler board to that height. The filler board must equal the thickness of the existing wall covering (tile). Usually, 1/4" masonite or similar material is adequate. If desired, the filler board can extend from the top edge of the tile to the ceiling.

Failure to use a filler board to properly install the panels could result in water damage or other damage to floors, walls, or other portions of your building or home.

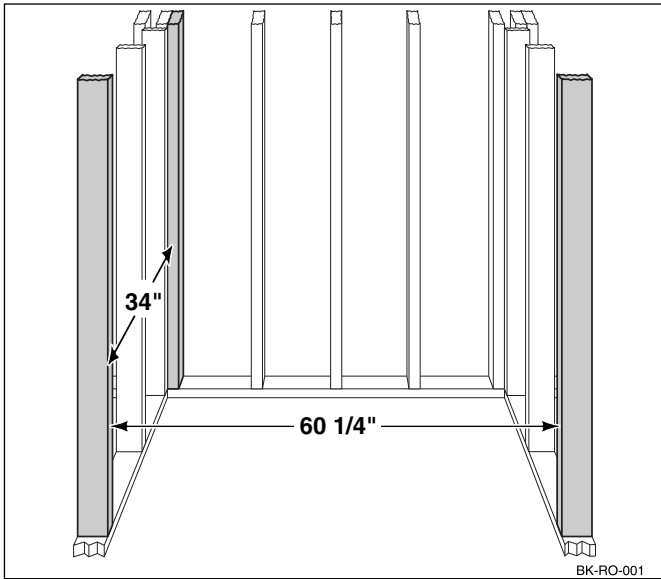


Installation Procedure

Rough Opening and Bench Seat

Rough-in dimensions are suggested sizes, and conditions may vary for each installation. If the rough opening (no moisture-resistant drywall) will be larger than 60-1/4", the back panel (59" wide) will be too narrow to cover the wall. Gaps less than 1/2" can be covered using the supplied corner molding (optional). If the finished opening is less than 59", the back panel can be cut to fit.

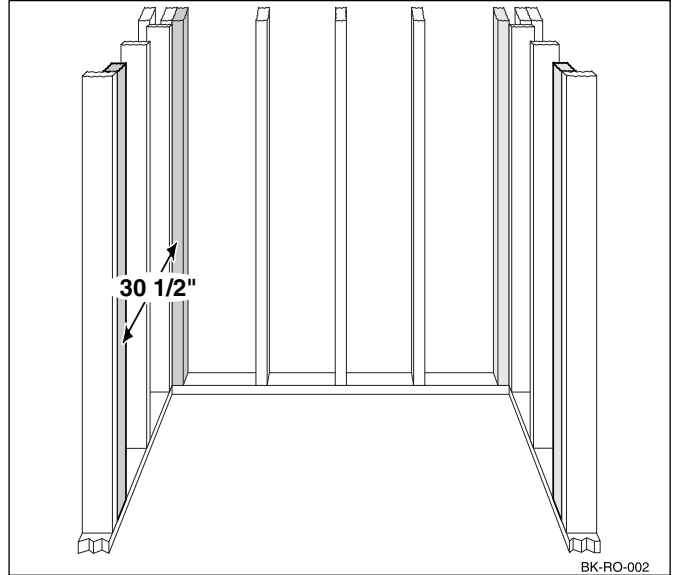
1. For new construction, build a wood or steel stud framework for the shower enclosure. The rough stud opening should be 60-1/4" wide by 34" deep, as shown.



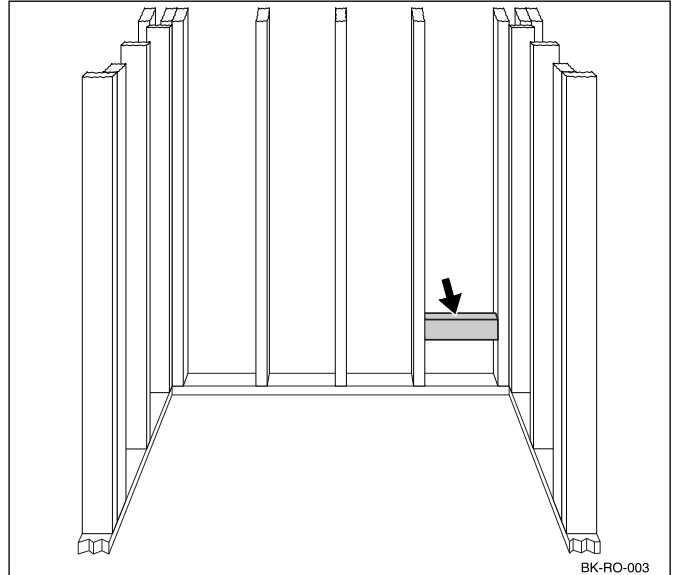
IMPORTANT NOTICE

The rough opening is measured from the face of one stud to the face of the stud on the opposite wall. This installation has been developed for 1/2" greenboard or cementboard. If thicker materials are used, the rough opening must be increased in order to accommodate the thicker materials.

2. Install a stud 30-1/2" from the back wall on both sides of the framing. This will provide an adequate anchor for a shower door, if one is installed.



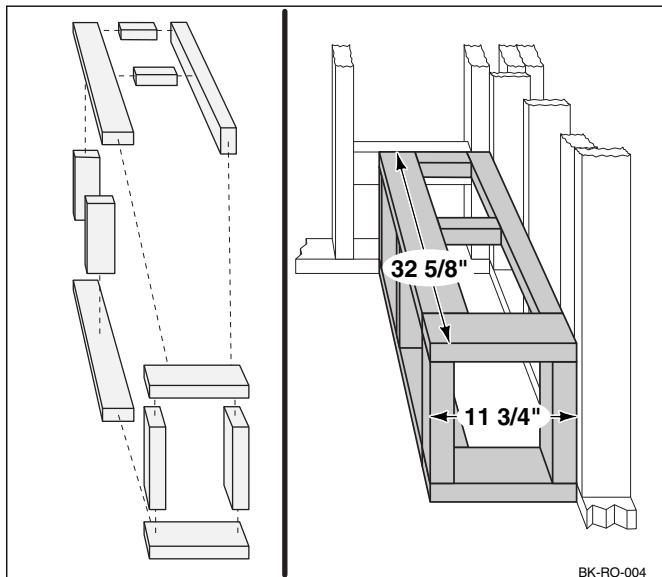
3. Add a 2 x 4 wall brace to attach the seat framing. The height of the brace should be the same height as the seat, which can vary according to personal needs.



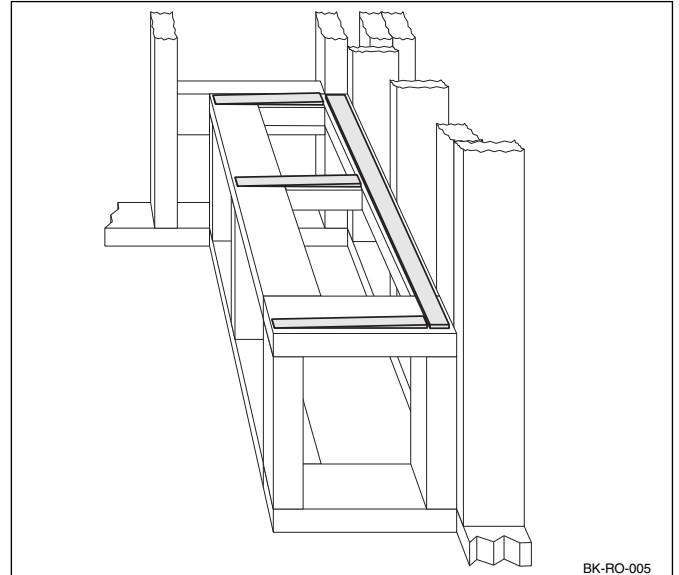
- Construct the bench seat framework, as shown, using 2 x 4 wood or steel studs. The framework for the seat must be 32-5/8" wide and 11-3/4" deep. The finished dimension of this seat, including the cementboard, must be 12-1/4 x 33-1/8". Construct the framework, as shown.

IMPORTANT NOTICE

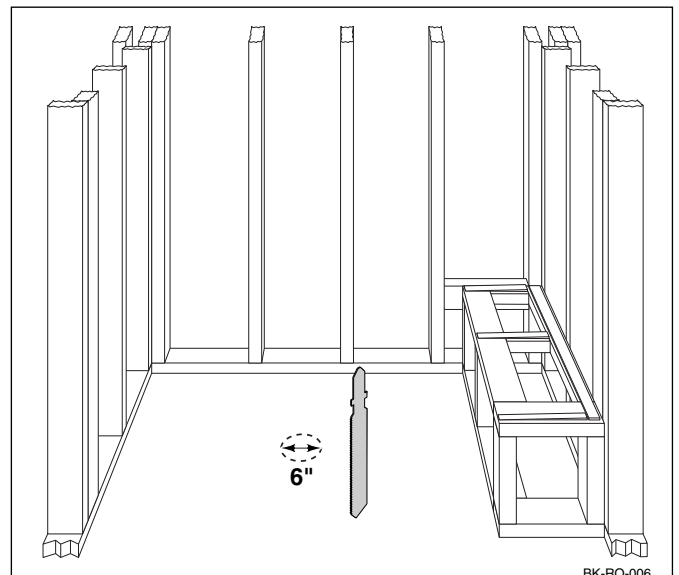
The center braces are necessary to adequately support the weight placed on the seat. Failure to install these braces will void any product warranty.



- In order to eliminate standing water on the bench seat, cut and place three 2" wide shims on top of each 2 x 4, as shown. Standard shim stock works well for these shims. The shims should be 1/8" thick and taper down to nothing. Also, place a 1/8" thick shim along the wall to completely support the back of the seat.



- Determine the location of the shower base drain. Measure and cut a 6" opening for the drain in the subfloor.



Installation Procedure

7. If a surface mounted accessory, such as a grab bar, is going to be installed, make sure 2 x 6 wood blocking is installed where the surface mounted accessory will be attached. This will ensure a solid backing for any mounting hardware.

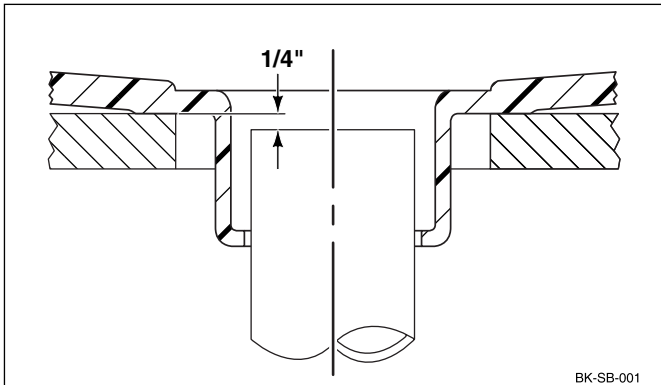
Shower Base Installation

The shower base is designed to be installed directly on the subfloor and should rest loosely against the studs maintaining the minimum 3/16" gap. The drain is designed for 2" cast-iron (no-hub) or plastic drain pipes.

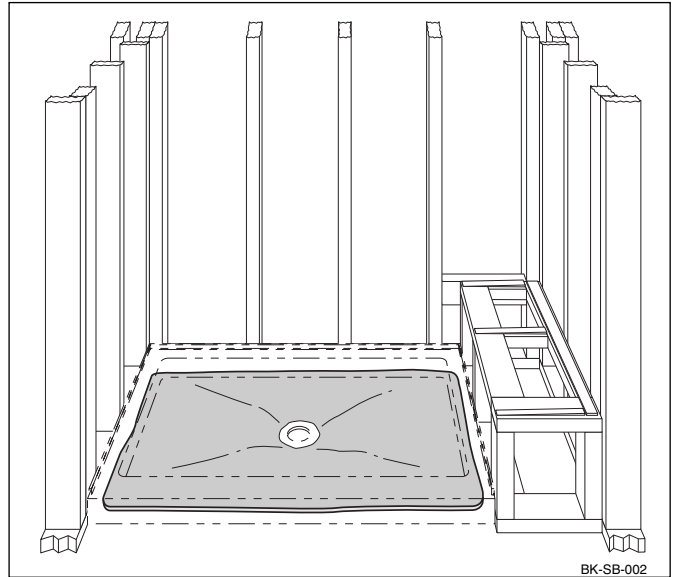
IMPORTANT NOTICE

For best installation results, it is suggested to install the shower base using a mortar bed or equivalent material, such as thinset.

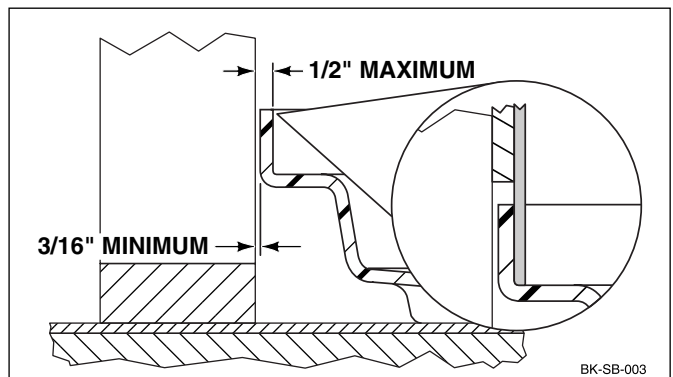
1. Dry fit the shower base to ensure a proper fit and correct alignment of the drain. The top of the drain pipe must be 1/4" below the floor level.



2. Remove the base and place up to 1/2" thick layer of mortar or thinset on the floor. This will ensure complete contact and support by the existing subfloor, eliminating shower floor flex during normal use. Taper the mortar/thinset to 1/4" thick around the floor drain. Mix enough material to cover an area approximately 1/2 x 24 x 42". Do not place the material closer than 2" to the edge of the shower base or the floor drain opening.



3. Place the shower base into the rough opening and firmly press it into the mortar/thinset. Make sure the side lips of the shower base are parallel with the wall with 3/16" gap between the face of the stud and the side lip.



NOTE: The ideal placement of the shower base would be 1/2" from the inside lip of the shower base to the face of the stud. This dimension would allow the Swanstone wall panels to rest against the lip of the shower base once the moisture-resistant cementboard is installed, as shown.

IMPORTANT NOTICE

Do not use nails or screws to attach the base to the walls or the floor. The mortar/thinset will prevent the shower base from moving without any mechanical fasteners.

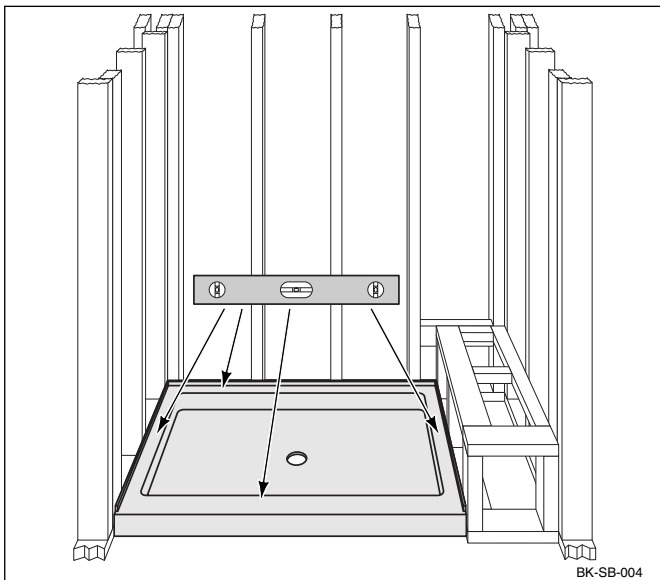
! WARNING



Do Not Use Nails

Do not use nails to secure the shower base to the framing. The shower base must be level in both directions when installed. Never use hammers, nails, or screws which could adversely affect the integrity of this product. Nails and screws could puncture the shower base, resulting in water or other damage to floors, pipes, walls, or other portions of your building or home.

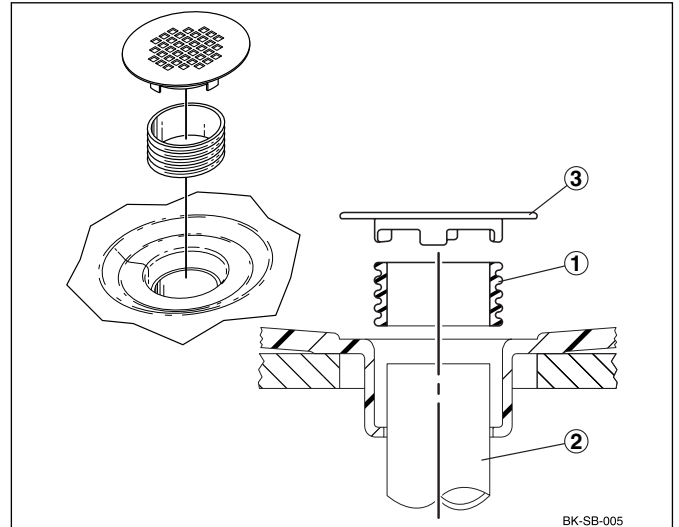
- Level the shower base in both directions, and allow the mortar/thinset to cure for 24 hours.



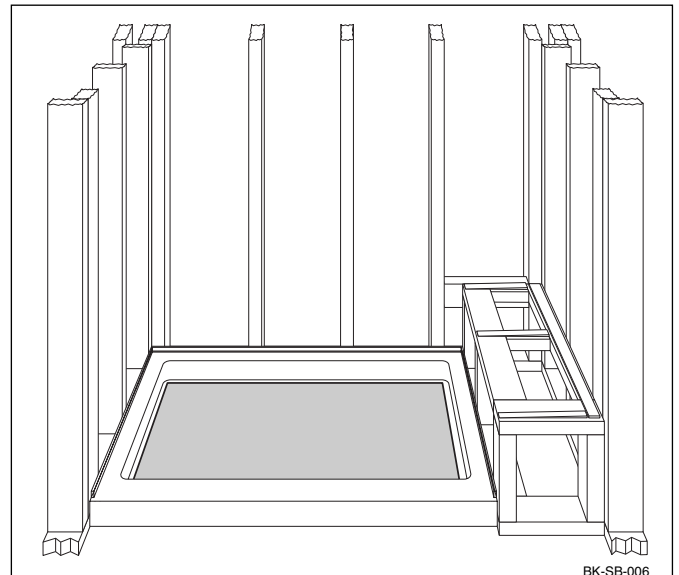
IMPORTANT NOTICE

If no-hub, cast-iron drain pipe is used, make sure the end of the pipe is free of nicks, cuts, or burrs. To ensure a proper seal, lightly sand the drain pipe with emery paper or "0000" steel wool.

- Lubricate both caulk seal gasket (1) and drain pipe (2) with either liquid hand soap or dishwashing liquid, and slide the caulk seal gasket over the drain pipe.
- Complete the installation by snapping strainer plates (3) into place. With metal strainers, it may be necessary to bend the strainer tines slightly outward. If you need to pry the strainer up from the drain, you have a proper fit.



- Place cardboard, or similar scratch resistant material, in the bottom of the shower base to prevent possible damage.

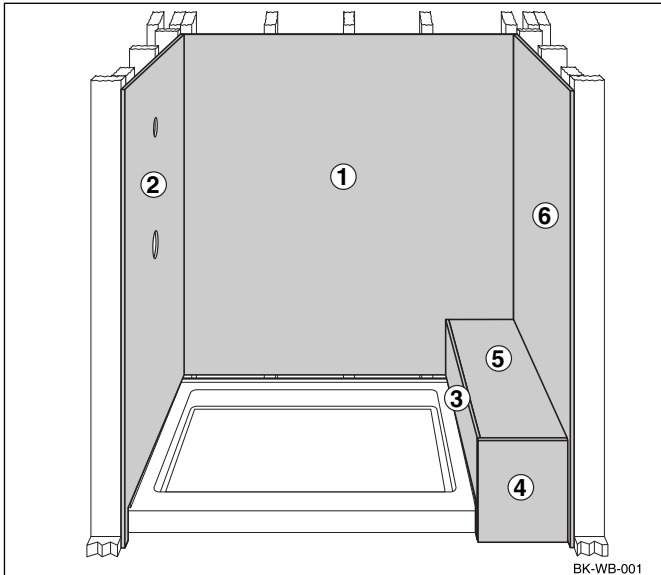


Wallboard Installation

IMPORTANT NOTICE

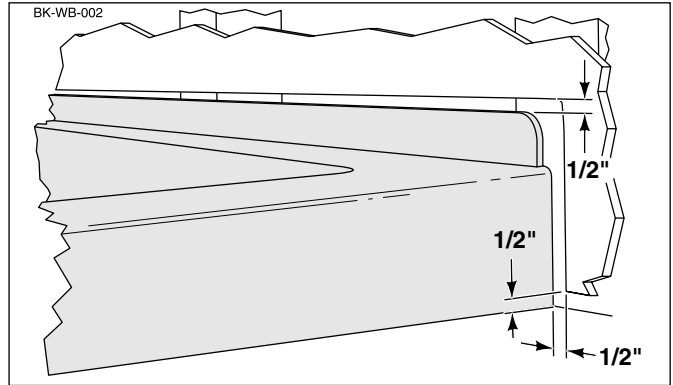
This shower kit contains a recessed shampoo shelf that fits into a standard wall stud opening. Before covering the studs, determine the location of the recessed shampoo shelf and make sure there are no pipes or electrical wiring in this space. Marking the stud locations on the cementboard as it is installed (above 72" from the floor) can help when later locating the wall stud opening.

1. Cut out openings for the shower faucet(s) and shower head. Install 1/2" moisture-resistant cementboard or greenboard over back (1), front (2), and rear (6) wall surfaces of the rough opening. Install cementboard or greenboard over all the surfaces of the seat area (3, 4, & 5). Follow the cementboard manufacturer's recommendations for installation.



IMPORTANT NOTICE

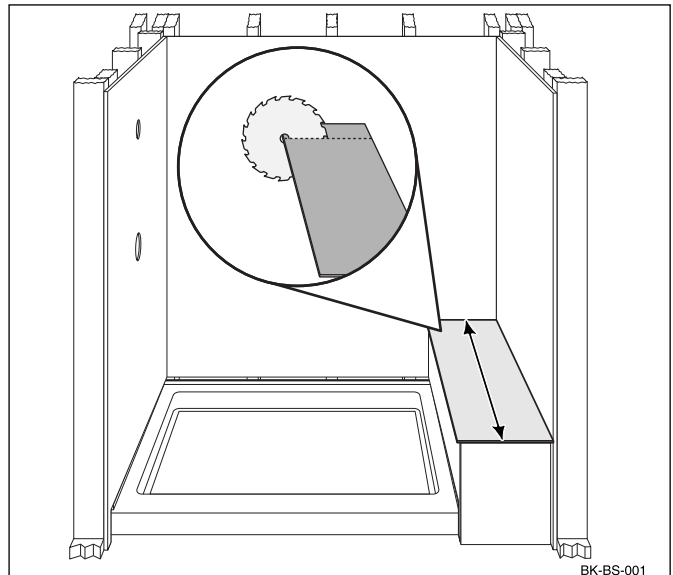
Install the wall board with a 1/2" gap above the shower base side lip, the front edge of the shower base, and the floor to prevent possible water (wicking affect) damage to the wall.



2. Apply a coat of water or oil-based primer/sealer to all the surfaces of the cementboard or greenboard (follow the manufacturer's instructions). Allow the primer to dry thoroughly before applying any clear silicone.

Seat Panel

1. Cut the seat panel to length. To prevent scratching, protect the surface of the panel from the bottom of the saw using masking tape.



NOTE: The length of the seat can vary, depending on the amount of desired overhang and the type of material used to cover the end of the bench seat. The width of the bench seat is pre-cut to 12-3/4" to provide a 1/2" overhang.

! WARNING

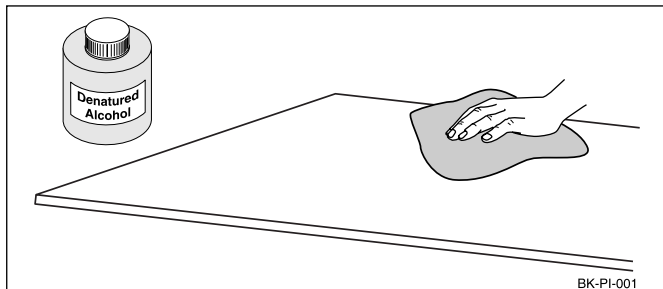


Fumes Hazard

The fumes from the silicone and solvents used by the installer can be harmful if used in an unventilated room.

Always work in a well-ventilated area.

2. Clean the backs of each panel with denatured alcohol or another non oil-based cleaning solvent.



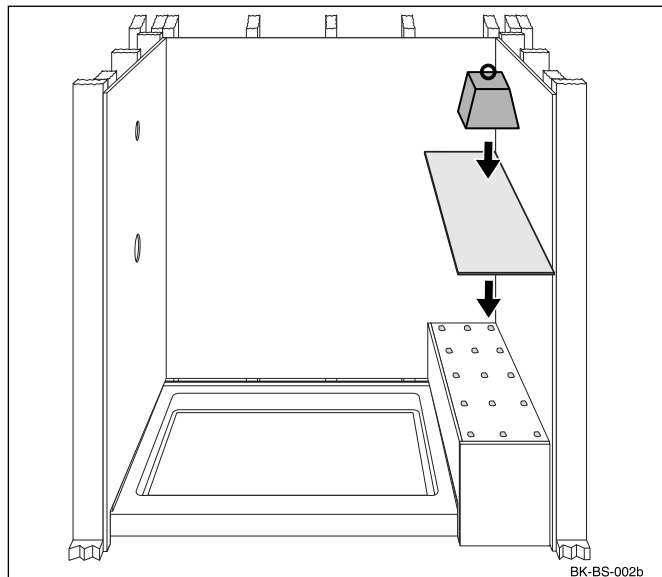
BK-PI-001

IMPORTANT NOTICE

Do not use oil-based cleaners, such as mineral spirits, to clean the panels. The oil in the cleaner will prevent the panel from adhering properly to the wall.

3. Apply the silicone in 1-1/4" diameter dots 8 to 10 inches apart over the surface of the panel. Follow the silicone manufacturer's instructions and note all ventilation and installation precautions.

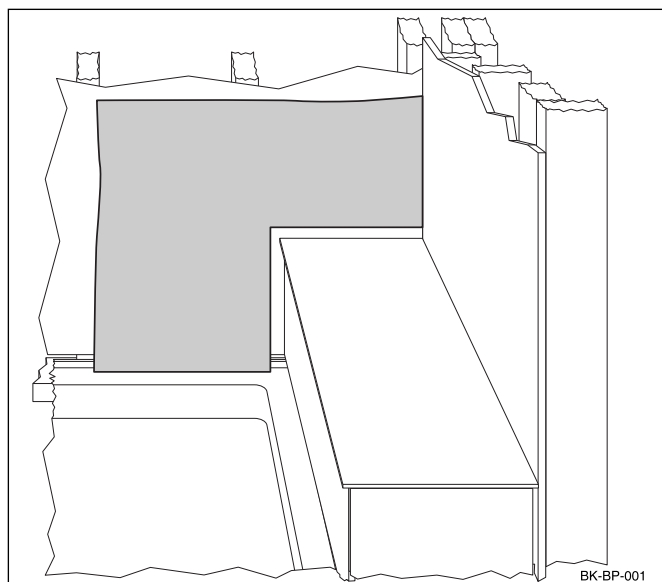
4. Place the seat, with the rounded edges facing out, onto the clear silicone. Make sure the seat is correctly positioned and place weight on top of the seat to hold it firmly in place.



BK-BS-002b

Back Panel

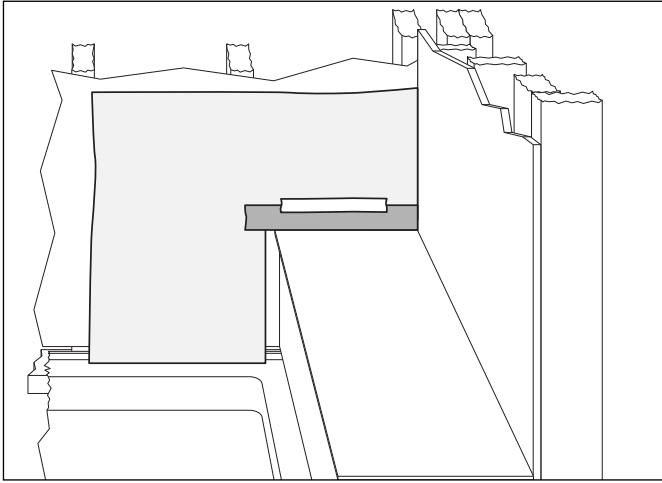
1. Make a template for the bench seat cutout in the back wall. The side of the box from the kit can be used to make this template.
2. Cut out the corner of the template larger than the seat area. Make sure the cardboard is square against the wall and shower base.



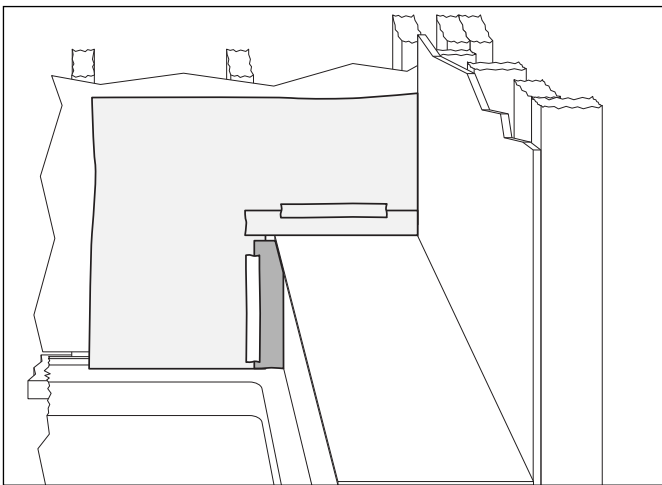
BK-BP-001

Installation Procedure

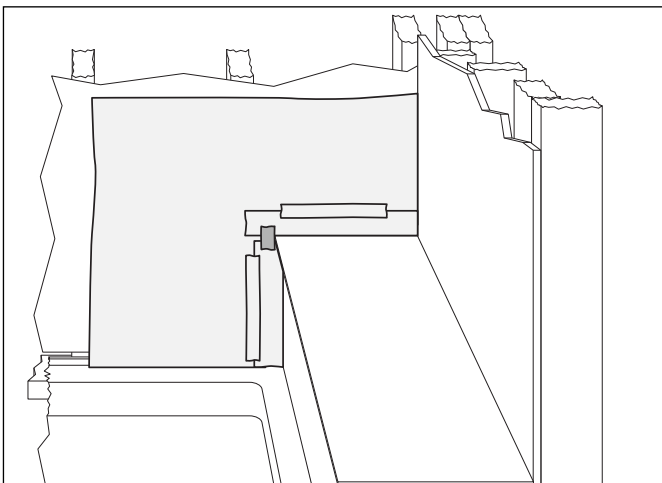
3. Cut two smaller strips of cardboard and place one of them against the seat surface. Tape the cardboard in place.



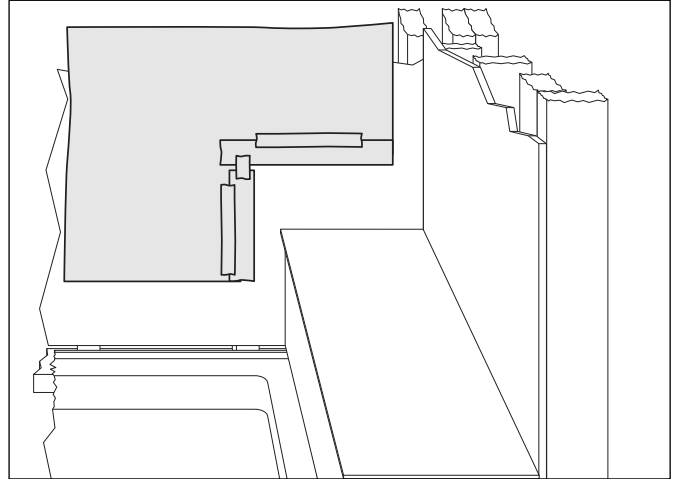
4. Place the other cardboard strip against the face of the seat. Tape the cardboard in place.



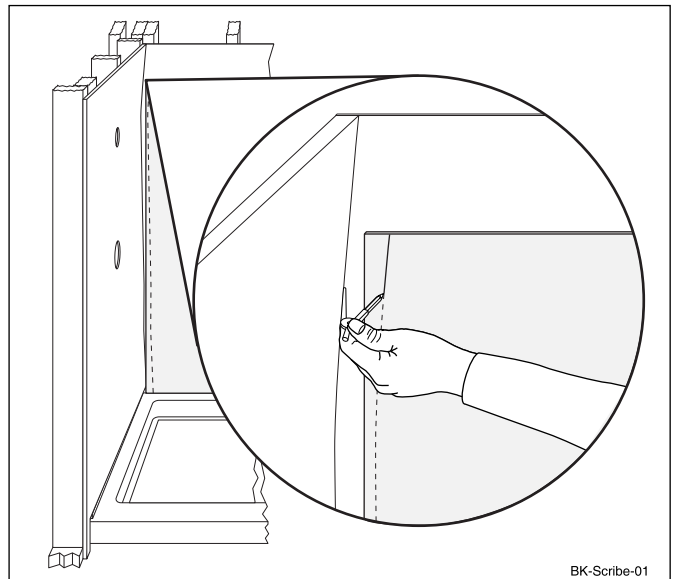
5. Place a small piece of tape next to the rounded edge.



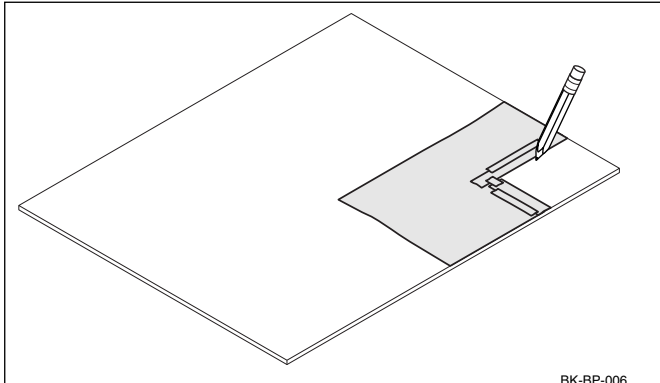
6. Carefully remove the template.



7. If the back wall is less than 59" wide, the panel will need to be cut to fit the opening. Use a piece of cardboard to create a template for the side opposite the bench seat. Make sure the cardboard is laying flat on top of the shower base and up against the front wall. Scribe (mark) the cardboard template, as shown. This will ensure the back panel fits the exact contour of the front wall. Cutting the back panel to precisely fit the wall is not necessary if the corner molding supplied in the kit is used. This corner molding will cover gaps up to 1/2".

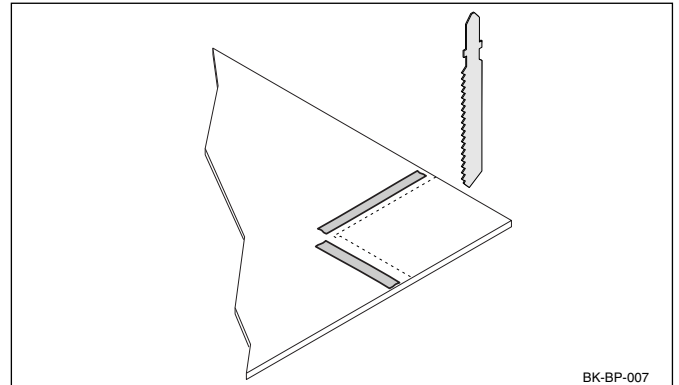


8. Place the back wall panel, finished side facing up, on a flat surface. Place the template(s) over the wall panel and carefully trace the outline of the template(s).



9. Remove the template(s) and place pieces of masking tape over the area where the saw contacts the Swanstone panel.

10. Cut the panel using a saber saw with a bi-metal blade (14 teeth per inch).



IMPORTANT NOTICE

Do not discard the cutoff piece from the back panel. It will be used later in the installation.

! WARNING



Dust Hazard

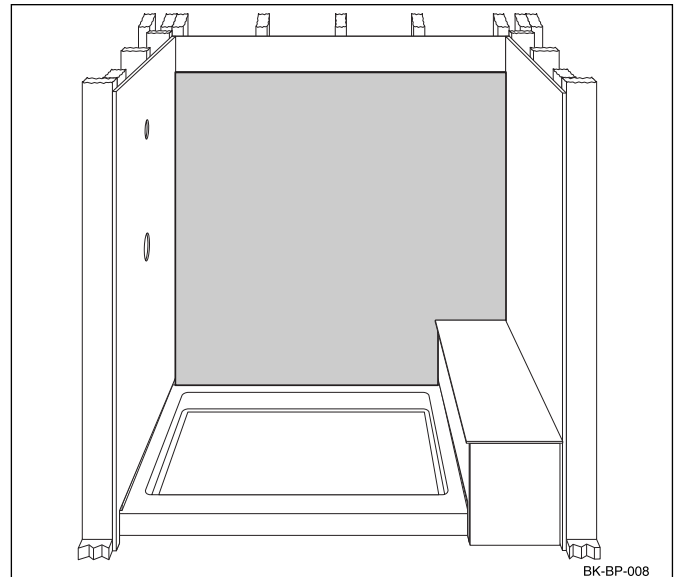
When cutting or drilling the Swanstone product, use a dust collection method which prevents dust particles from going into the air. Always work in a well-ventilated area. Always use an OSHA approved dust mask when cutting, drilling, or sanding Swanstone products.

IMPORTANT NOTICE

All cutouts for notches or accessories should have rounded corners (sharp corners can promote stress cracks).

The cutout for the seat is a complicated cut and requires precise accuracy to ensure a proper fit that will be resistant to leaking.

11. Dry fit the back panel, and make any necessary adjustments. Temporarily secure the back panel to the wall in order to properly fit the front and rear panels.



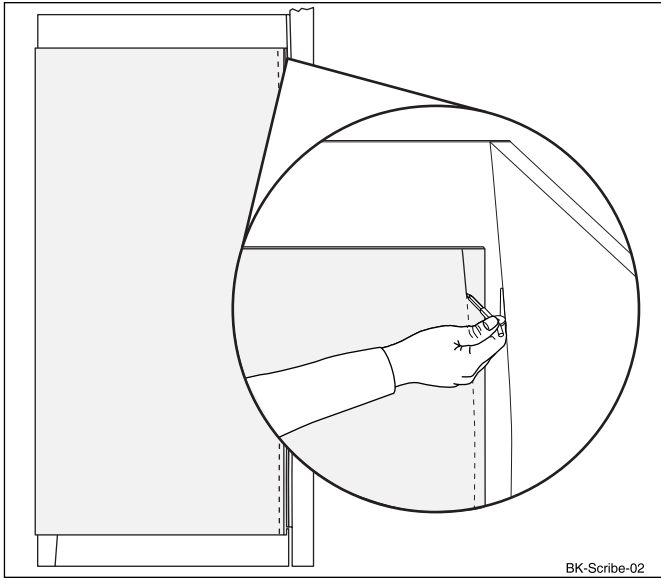
IMPORTANT NOTICE

DO NOT force a panel to fit a bowed or curved wall as it may break; furthermore, the resiliency of the panel can break the silicone bond to the wall surface.

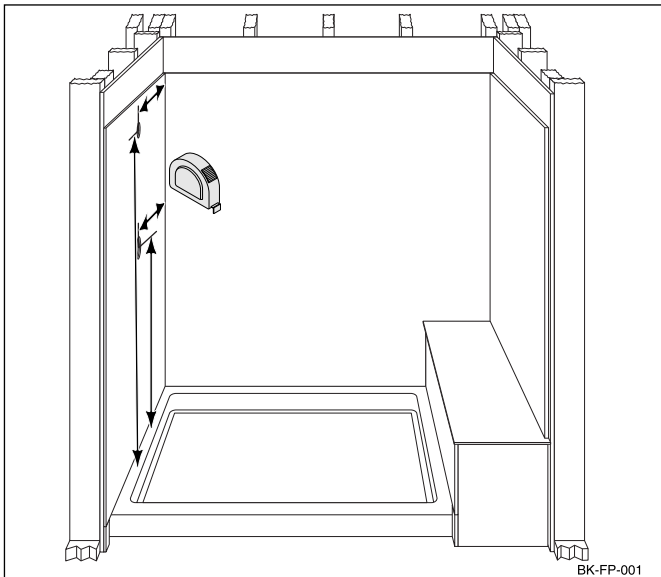
Installation Procedure

Front Panel (Left or Right-Side)

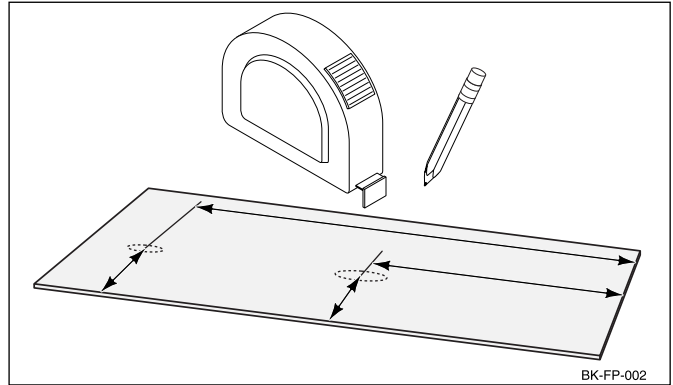
1. Place the front panel on top of the shower base and slide it against the back wall panel. Scribe (mark) the panel, as shown. Cut away the excess material to allow the front panel to fit precisely against the back panel. Scribing and cutting the panel will provide a 90 degree corner with no need for corner molding. Cutting the side panel to precisely fit the wall is not necessary if the corner molding supplied in the kit is used. This corner molding will cover gaps up to 1/2".



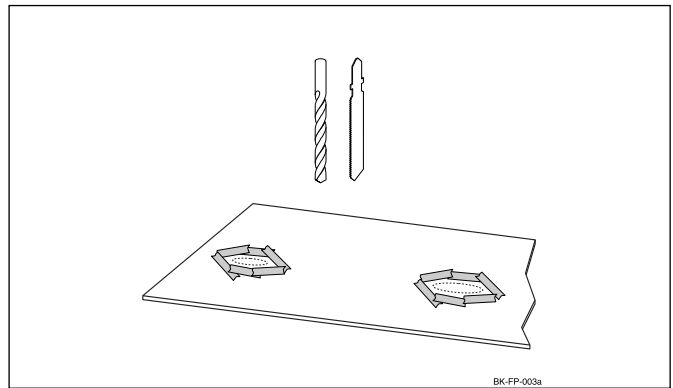
2. Measure the openings for the shower faucet(s) and shower head.



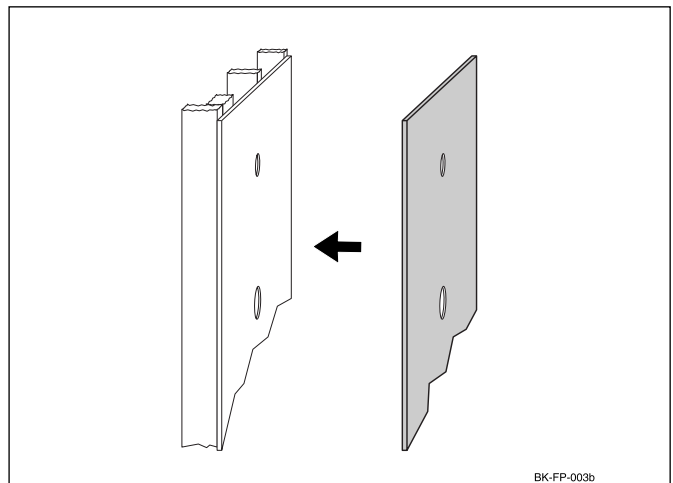
3. Transfer the measurements to the front panel.



4. Cut clearance holes using a router, saber saw, or hole saw. Drill from the finished side of the panel. For best results, when drilling, place a scrap of wood beneath the hole to ensure a clean cut.

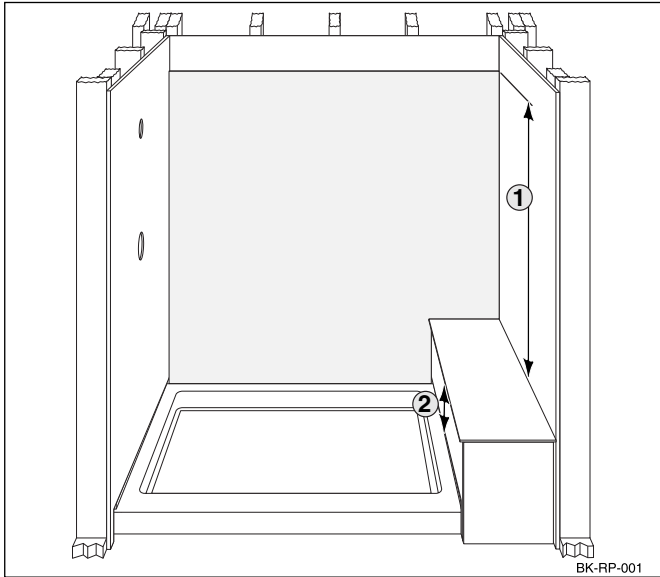


5. Dry fit the front panel, and make any necessary adjustments.



Rear Panel (Right or Left-side)

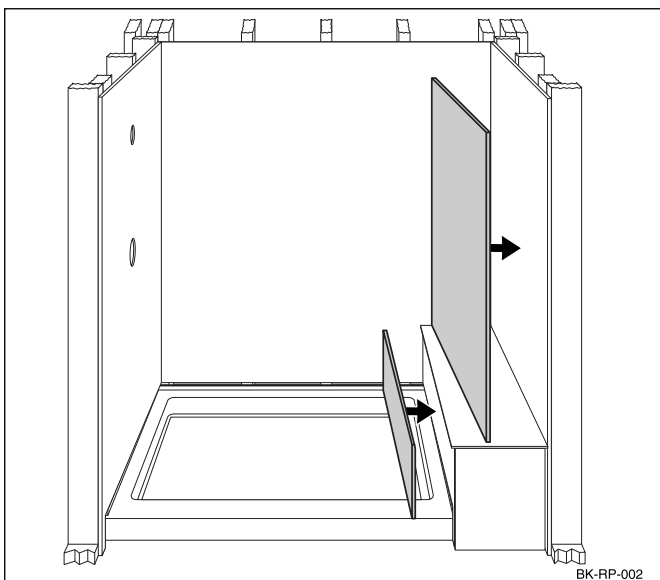
1. Measure the distance from the top of the bench seat to the top edge of the back panel. Cut the rear panel to this length.
2. Measure the distance between the shower base and the bottom of the bench seat. Again, cut a piece from the rear panel.



IMPORTANT NOTICE

The Swanstone panels have finished outside edges. Make the second cut in the same area as the first cut.

3. Dry fit the rear panels, and make any necessary adjustments. Scribe and cut both rear panels to fit the back wall, or use the corner molding supplied in the kit.



Panel Installation

! WARNING

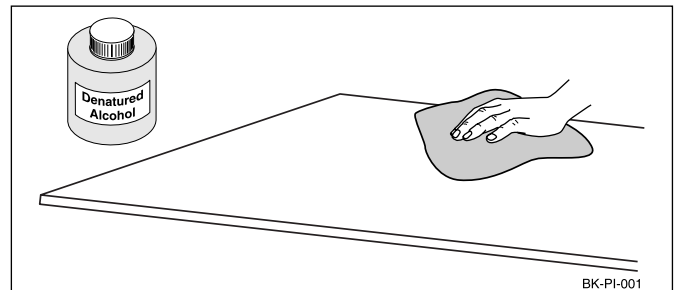


Fumes Hazard

The fumes from the silicone and solvents used by the installer can be harmful if used in an unventilated room.

Always work in a well-ventilated area.

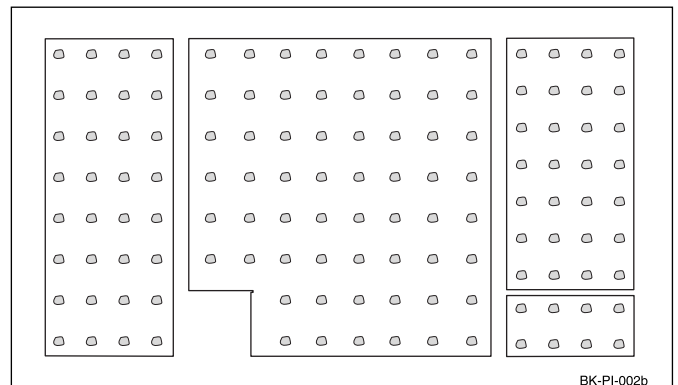
1. Clean the backs of each panel with denatured alcohol or another non oil-based cleaning solvent.



IMPORTANT NOTICE

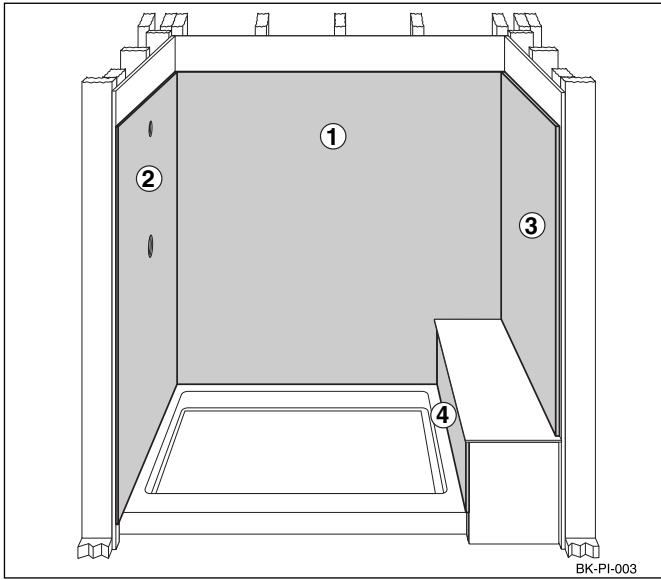
Do not use oil-based cleaners, such as mineral spirits, to clean the panels. The oil in the cleaner will prevent the panel from adhering properly to the wall.

2. Apply the silicone in 1-1/4" diameter dots every 8 to 10 inches apart over the surface of the panel. Follow the silicone manufacturer's instructions and note all ventilation and installation precautions.



Installation Procedure

3. Install back panel (1) first. Then, install front panel (2). Finally, install rear panels (3 & 4).



NOTE: When using an industrial grade hot melt glue gun in place of bracing, apply the silicone as stated in Step 2. Apply the hot melt glue to the panel, as needed, and press the panel firmly into place. The hot melt glue will hold the panel until the silicone bonds to the wall. This process is not recommended for the do-it-yourself homeowner.

IMPORTANT NOTICE

Do not use a home applicator, craft-type hot melt glue gun. Using this type of glue gun will NOT hold the panels in place long enough for the silicone to bond properly to the wall.

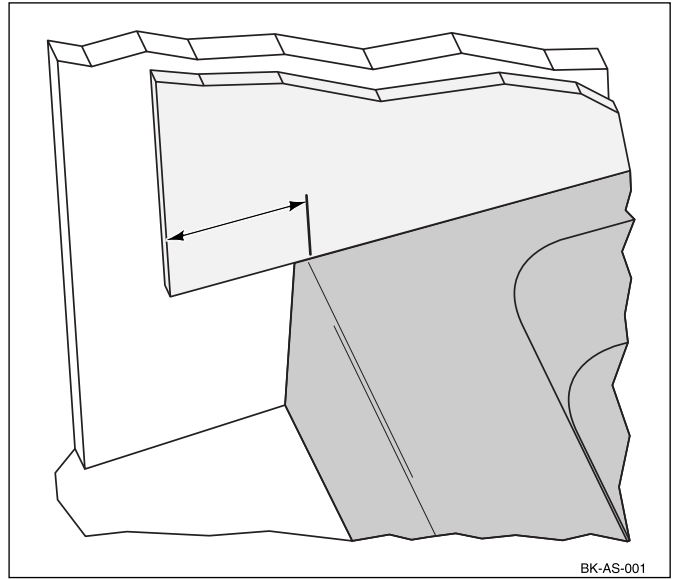
4. Firmly press the surface of each panel against the wall. It is important to apply hand pressure to the entire surface of the panel to bond it to the wall surface.

Apron Strips

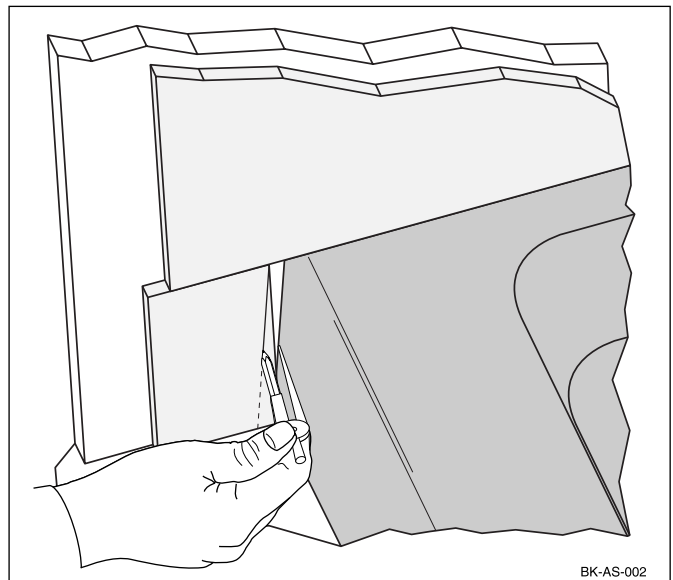
Apron strips provide a finished look to your installation.

The two small apron strips can be cut from the scrap of the back panel. When cutting these apron strips, make sure the finished edge of the panel is facing outward.

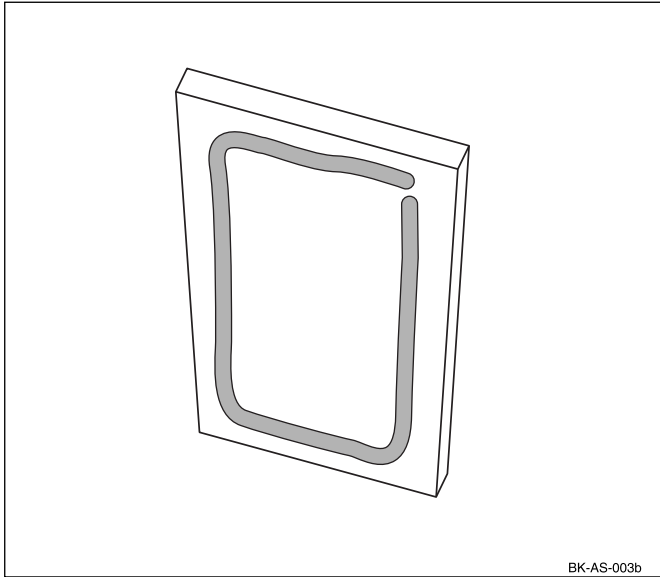
1. Measure the distance from the top of the shower base to the outside of the panel.



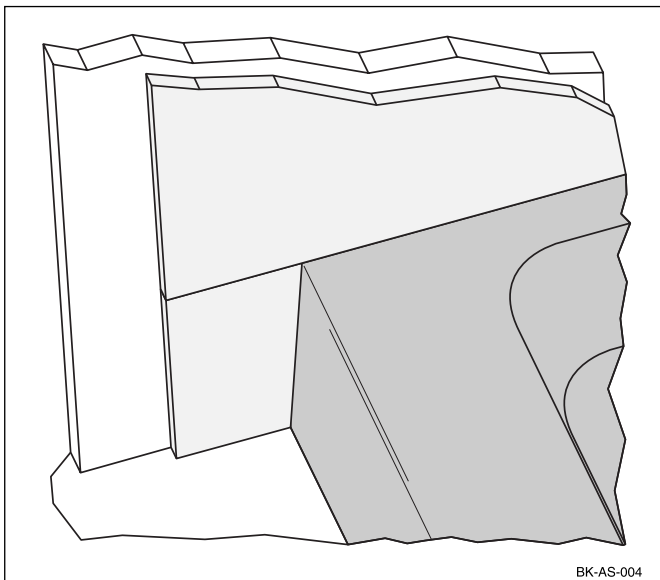
2. Cut two pieces of the Swanstone material.
3. Hold the apron strips in place and scribe the angle of the shower base onto each piece. Remember, do not cut the finished edge.



- Place silicone on the back side of the apron strips.



- Attach the apron strips to the wall.



Temporary Bracing (if not using industrial hot melt glue gun)

Install temporary bracing to hold the four panels in place until the silicone is completely set (usually 24 hours). This will allow proper curing of the silicone.

NOTE: An industrial application hot melt glue gun can be used instead of the bracing described in this section. This process is not recommended for the do-it-yourself homeowner.

IMPORTANT NOTICE

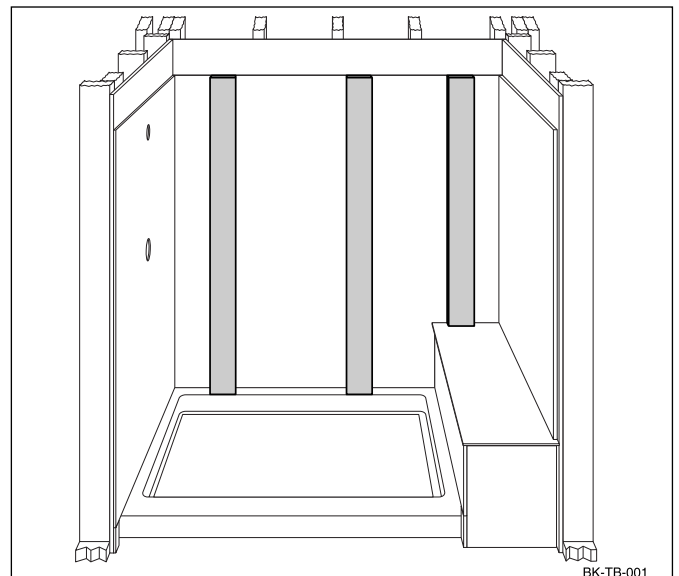
To ensure contact between the panels and walls until the silicone sets, install temporary bracing for 24 hours after completing installation. The bracing should be constructed from lengths of 2 x 4's. Failure to brace in the manner described could keep the panels from adhering, resulting in personal injury, as well as water damage or other damage to floors, walls, or other portions of your building or home.

IMPORTANT NOTICE

To prevent scratches or other damage, make sure there are no nails or other foreign objects in the surface of the bracing that is placed against the panel.

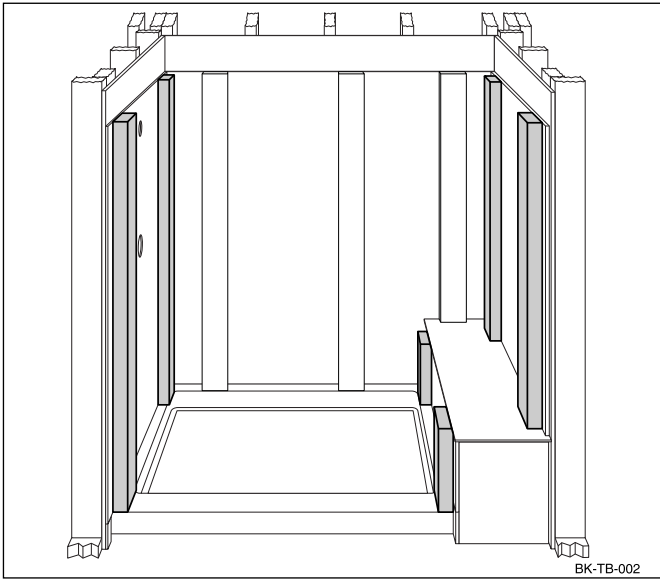
If the horizontal braces are fastened to the vertical braces using nails or screws, make sure the fasteners do not penetrate the surface of the panel. Also, to prevent possible damage to the walls, do not apply excessive pressure to the braces.

- Place three braces against the back wall.

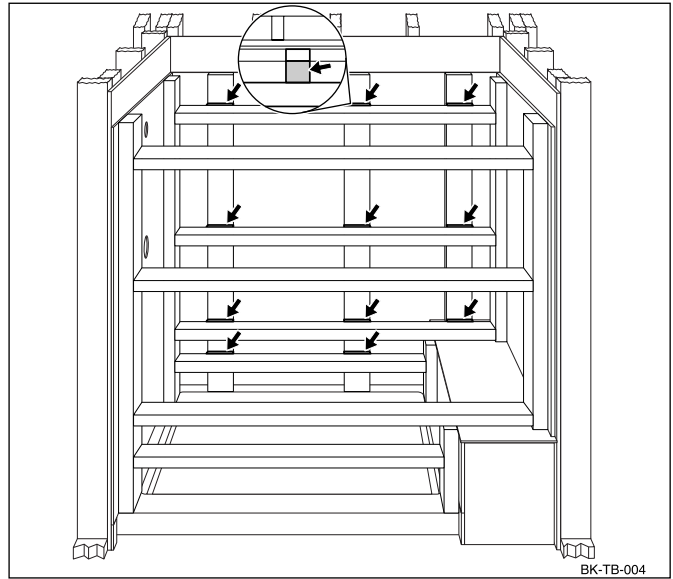


Installation Procedure

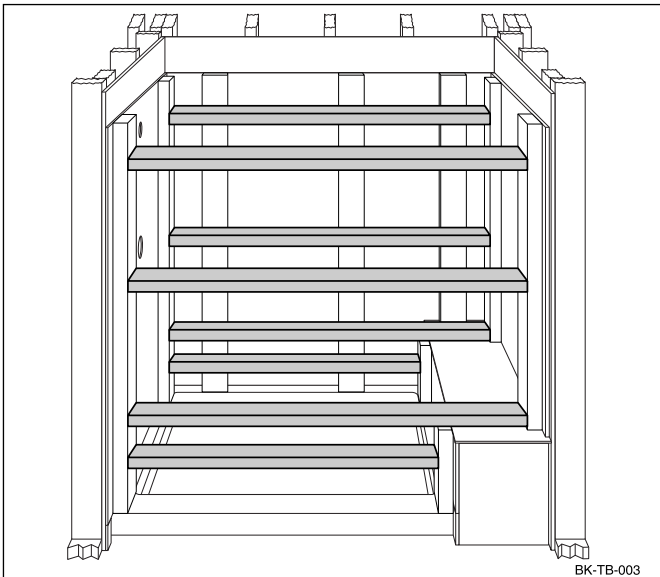
- Place two braces against each front and rear wall and place two braces against the rear panel of the seat area.



- Insert small blocks between the front to rear panel braces and the back panel braces. These will apply pressure to the back panel to hold it in place.



- Install (wedge) four horizontal braces (eight total) against the side wall braces.



- Remove the braces after 24 hours.

Recessed Shampoo Shelf

Install the recessed shampoo shelf after the braces are removed.

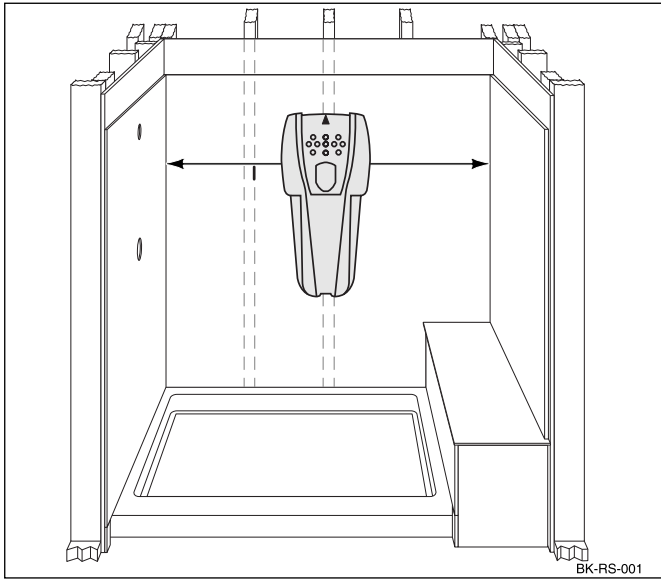
IMPORTANT NOTICE

Select a desirable location for mounting the recessed shampoo shelf. A stud finder may be used to assist in locating an area which will place the unit between studs. The depth of recessed shampoo shelf (3-1/4") will not permit any obstruction in the wall (light fixture, electrical wiring, plumbing, etc.).

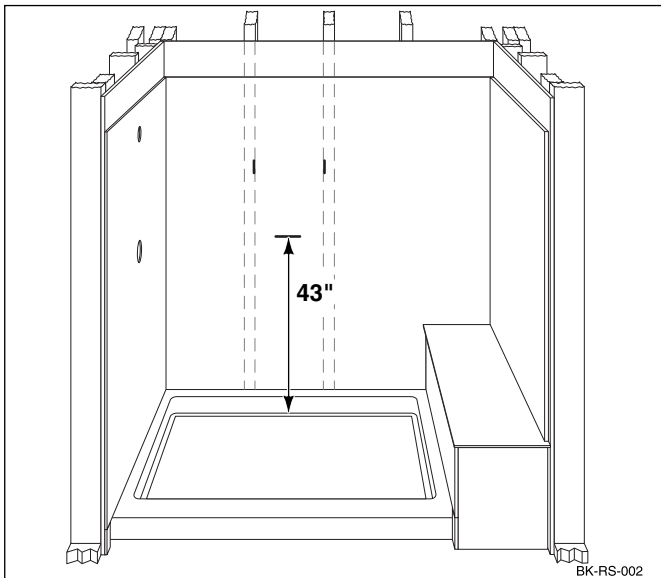
IMPORTANT NOTICE

Marking the exact location for the recessed shampoo shelf is a critical step. If the location is marked wrong and the back panel is cut, the panel cannot be patched or repaired.

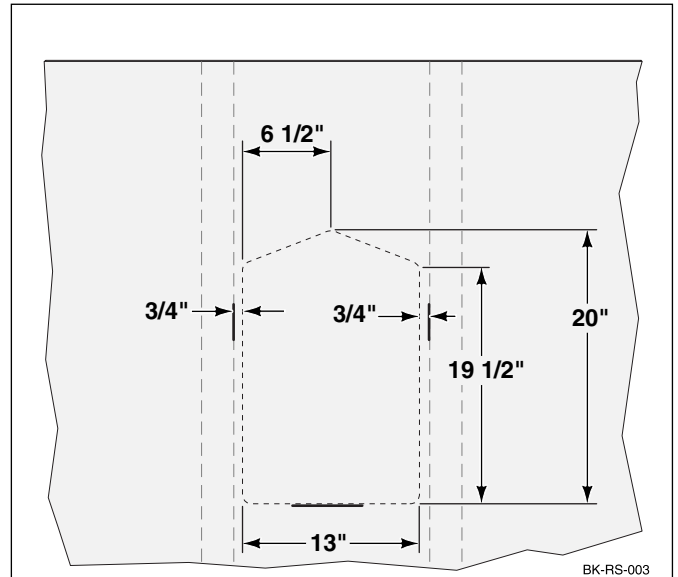
- Using a stud finder, previously marked locations, or other similar method, locate the stud pocket where the recessed shelf will be installed.



- Mark the wall panel with the stud locations, as shown. A standard height for the recessed shelf would be 43" from the shower floor to the bottom of the opening.



- Mark the measurements, as shown, for the cut out onto the wall panel. Try to center the opening in the stud pocket. The wall stud opening shown is 16" on center, which creates a 14-1/2" opening.



! WARNING



Make sure no electrical wiring or plumbing is present inside the wall cavity before cutting the opening for the recessed shampoo shelf. Electric shock can cause severe burns, significant injuries, and even death.

- Place masking tape over the surface of the panel to protect it against scratching when the hole is cut.
- Drill a pilot hole through the panel and cementboard. A 3/8" drill bit will normally be large enough to insert the saber saw blade.

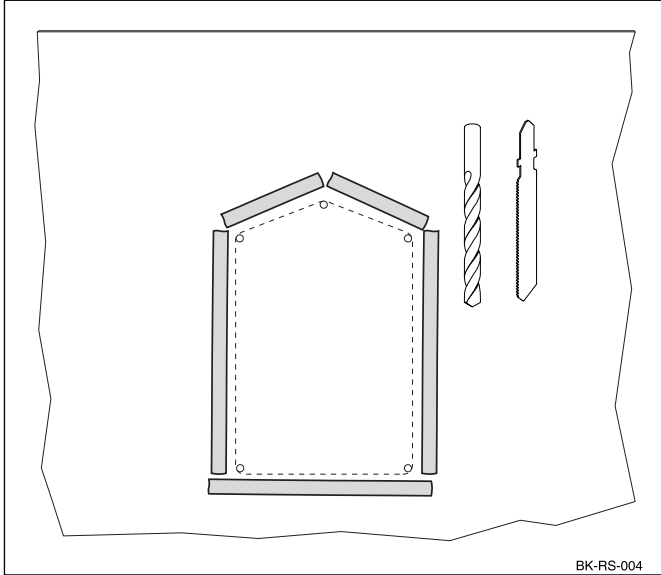
! WARNING



When cutting the panel, use a dust collection method which prevents dust particles from going into the air. Always work in a well-ventilated area. Always use an OSHA approved dust mask when cutting Swanstone products.

Installation Procedure

6. Cut the opening for the recessed shelf.



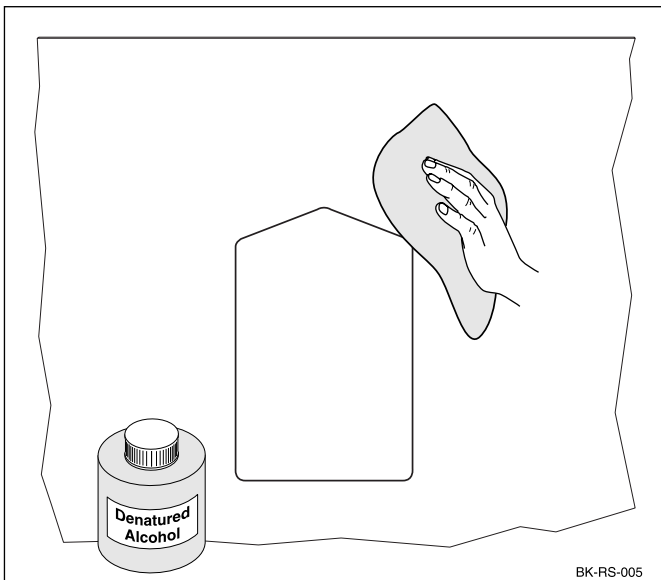
! WARNING



The fumes from the silicone and solvents used by the installer can be harmful if used in an unventilated room.

Always work in a well-ventilated area.

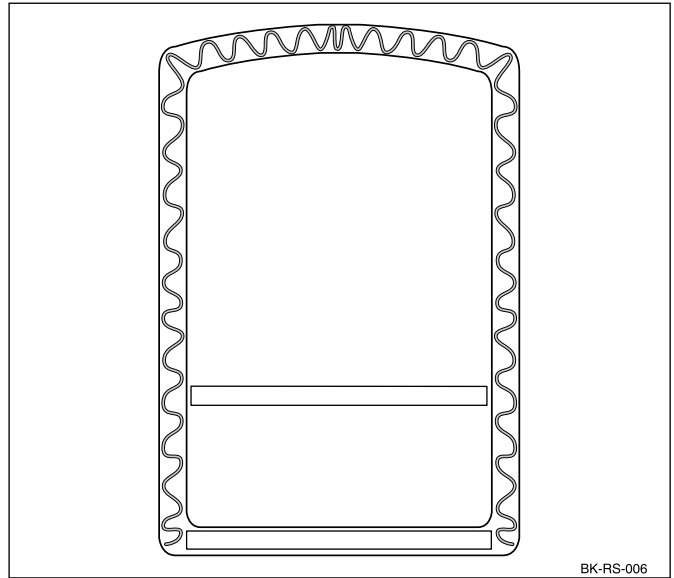
7. Remove the tape, and clean the panel surface with denatured alcohol or another non-oil based solvent.



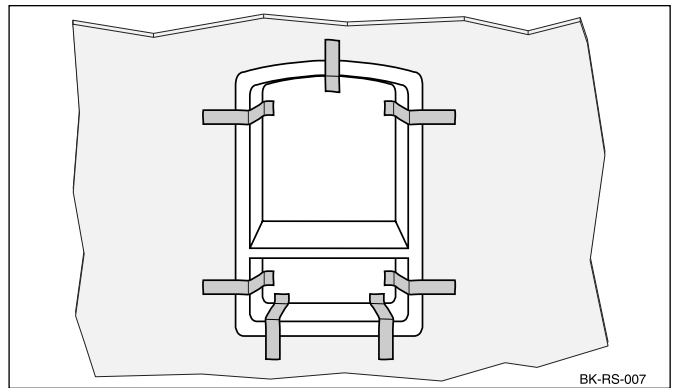
IMPORTANT NOTICE

Do not use oil-based cleaners, such as mineral spirits, to clean the panels. The oil in the cleaner will prevent the panel from adhering properly to the wall.

8. Apply a 1/8" bead of silicone (part of this kit) to the entire inside edge of the recessed shampoo shelf.



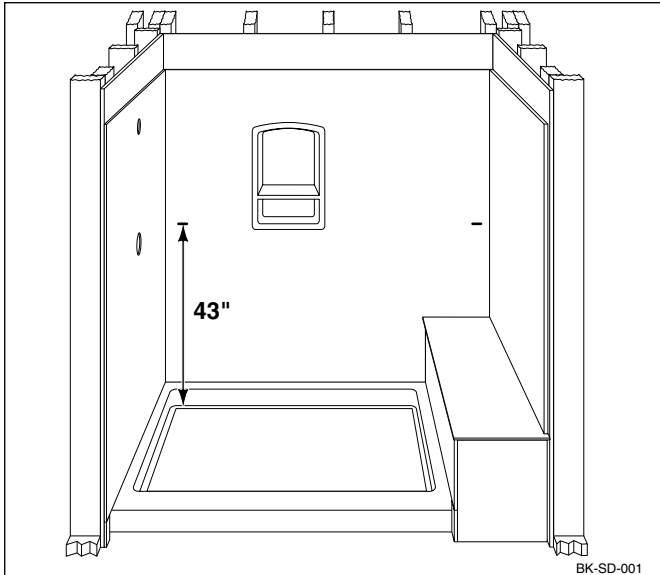
9. Install the recessed shampoo shelf in the opening, and clean excess silicone from around the perimeter. Silicone residue can be cleaned up with denatured alcohol.
10. Secure the shelf in place with masking tape, as shown. Allow 24 hours for the silicone to dry.



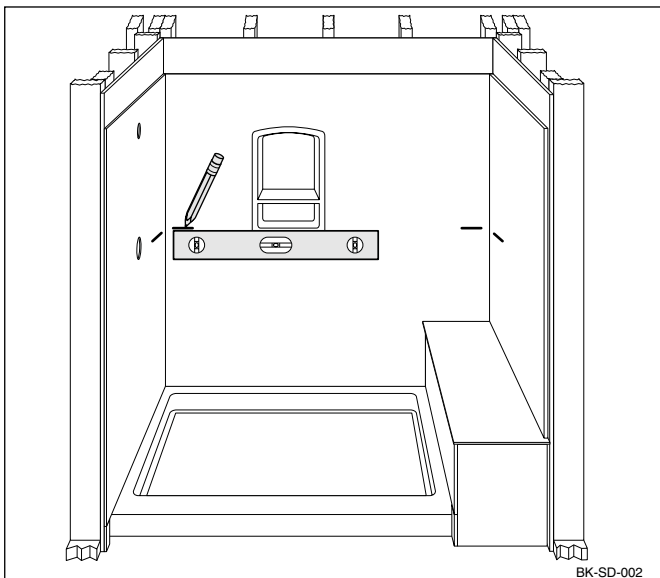
Soap Dish Installation (Optional)

The soap dish is a corner mount design. The soap dishes can be stacked in one corner or placed in opposite corners.

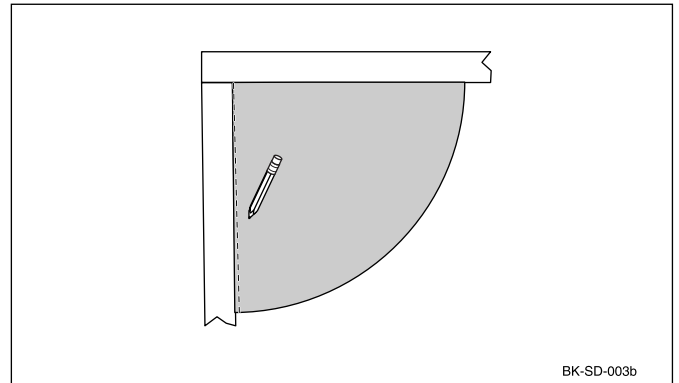
1. Select a desirable height for mounting one or both soap dishes. A height of at least 43" from the shower floor to the soap dish is recommended.



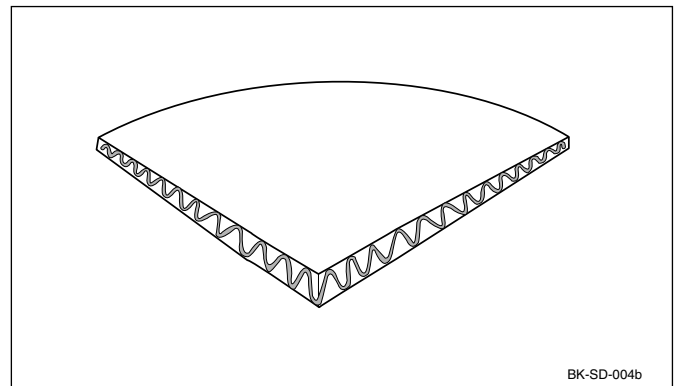
2. After marking the height, draw a 4" level-line on both walls. These lines will be used to align the top edges of the soap dish.



3. Dry fit the soap dish prior to applying silicone. If the wall is not exactly 90 degrees square, it will be necessary to sand one side in order to achieve proper fit. Use a course grit (60 grit) sandpaper.



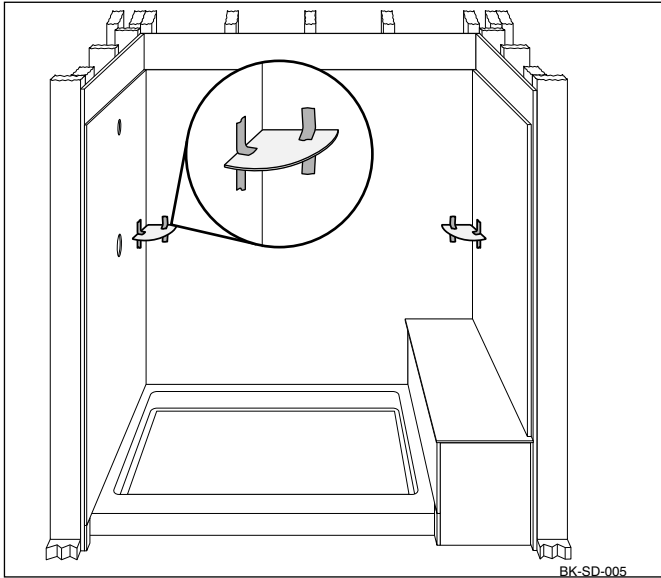
4. Apply a generous amount of silicone to the edge of the soap dish. If the corner molding was not installed, apply silicone as shown in lower drawing.



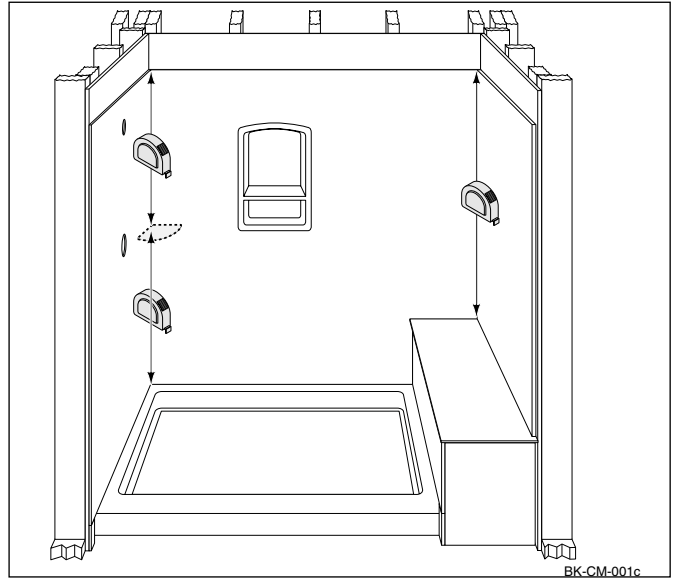
5. Align the soap dish with the level-lines and press it into place.
6. Hold the soap dish securely in place and wipe off excess silicone. You will want a uniform bead on both top and bottom.

Installation Procedure

7. Temporarily secure the soap dish with masking tape, as shown. Remove tape after approximately two hours. Do not place anything on the soap dish for at least 24 hours.



1. Measure and cut the corner moldings to length. If the optional soap dish was installed, cut one piece of molding to fit above the soap dish and one for below the soap dish.



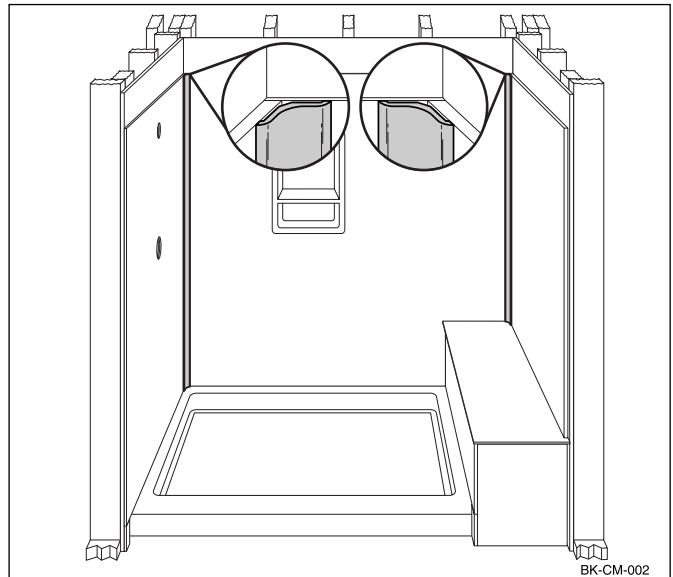
Corner Molding (Optional)

Installing the corner molding is optional. If the panels were scribed and cut to create a tight-fitting corner, then the corner molding can be eliminated. If, however, there are gaps between the front/rear panel, the corner molding should be installed. Either option, if done properly, is acceptable.

If the optional soap dish was installed, cut one piece of molding to fit above the soap dish and one for below the soap dish.

NOTE: The clear silicone required for the installation of the corner molding is the same as used for the installation of the Swanstone wall panels. This kit contains enough clear silicone for both the wall panels and the corner molding.

2. Dry fit the corner molding.



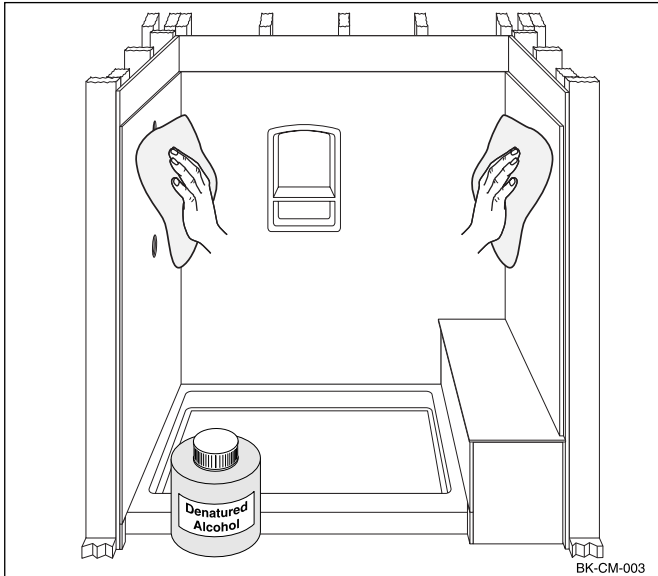
! WARNING



The fumes from the silicone and solvents used by the installer can be harmful if used in an unventilated room.

Always work in a well-ventilated area.

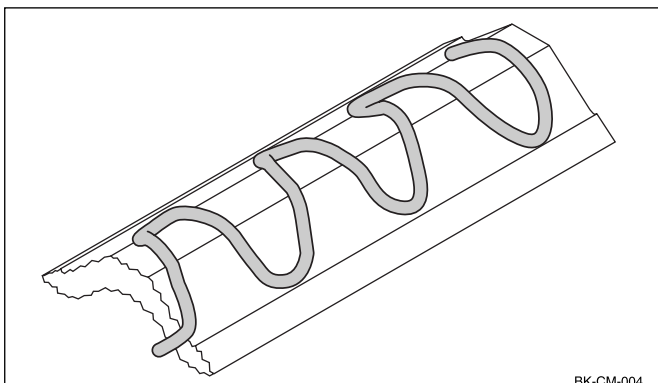
3. Clean the surface of the panels and the back of the molding with denatured alcohol or another non-oil based solvent.



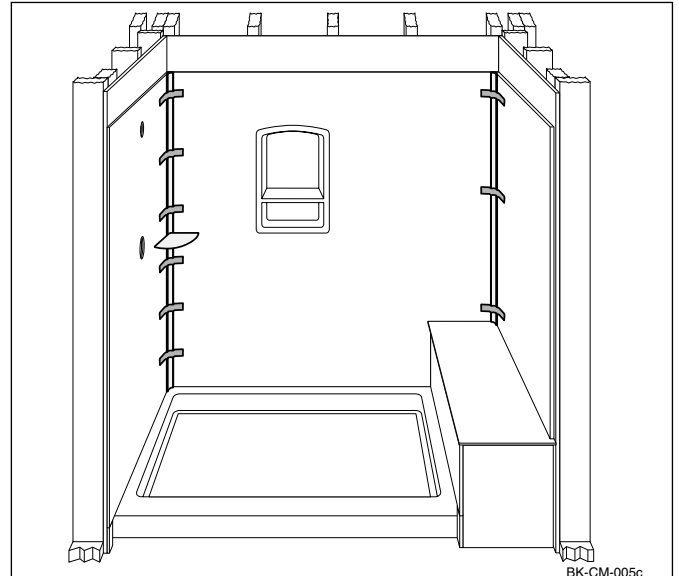
IMPORTANT NOTICE

Do not use oil-based cleaners, such as mineral spirits, to clean the panels. The oil in the cleaner will prevent the panel from adhering properly to the wall.

4. Apply a 1/8 to 1/4" bead of silicone to the back of the corner molding in an S pattern, as shown.



5. Press the corner molding into place. Remove any excess silicone.
6. Place at least three pieces of masking tape on each corner molding to hold it in place until the silicone adheres to the wall panel.



Installation Procedure

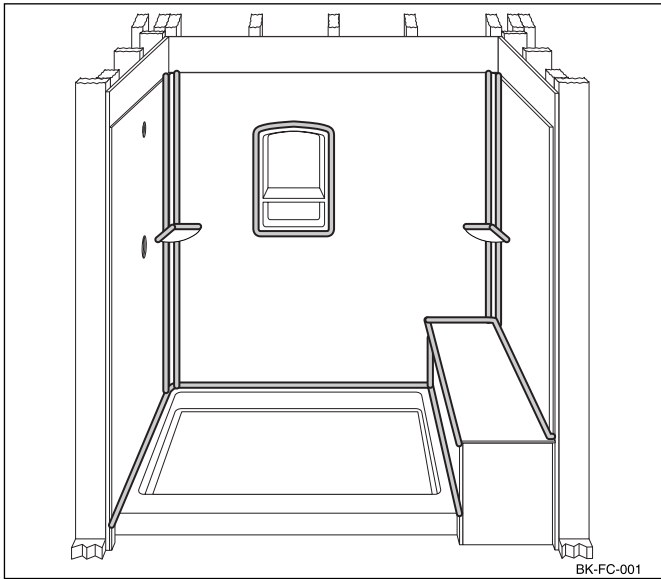
Final Caulking

Apply a bead of the color-matched 100% silicone sealant and white silicone sealant (included in the kit).

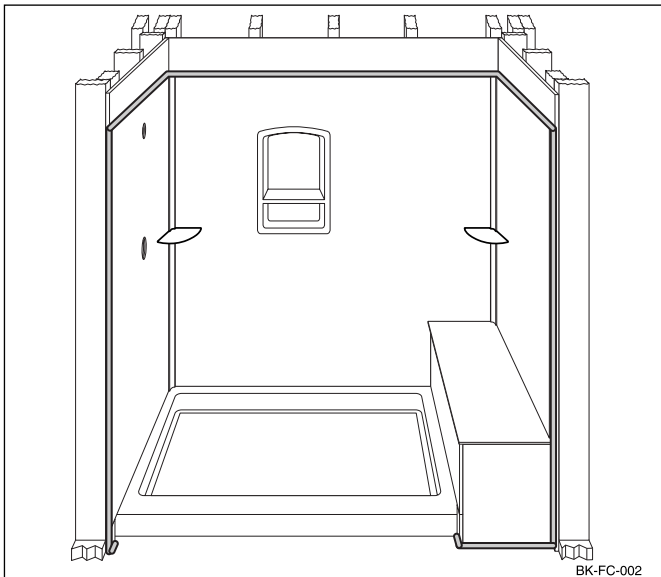
IMPORTANT NOTICE

Follow the manufacturer's instructions on the tube for proper application. Allow at least 24 hours for silicone sealant to set before using the shower enclosure.

1. Apply color-matched 100% silicone sealant, as shown.



2. Apply white silicone sealant, as shown. This white silicone sealant is nonpaintable.



The installation is now complete. DO NOT discard these installation instructions. PLEASE LEAVE THEM WITH THE HOMEOWNER.

Attaching Shower Doors and Accessories

1. Follow the mounting instructions that come with each accessory.
2. Drill pilot holes, where fasteners pass through the wall panels slightly larger than the fastener.
3. If anchors are being used, drill the hole in the panel large enough for the head of the anchor to fit through the panel and the structural wall behind it.
4. Use 100% silicone to seal any holes or joints between the accessory and the wall panel.

Care and Cleaning

The Swanstone products are stain and abrasion resistant; however, the finish requires reasonable care.

IMPORTANT NOTICE

Because cleaning products change over time, always check the manufacturer's instructions to make sure it is compatible with plastic. **DO NOT** use a cleaner if the label indicates it should not be used on plastics. **DO NOT** use spray-on cleaners that require daily use without immediately rinsing with water to stop the chemical cleaning reaction because damage will result and void the warranty.

Day-To-Day Cleanup

Simply wipe the surfaces with a clean towel to remove watermarks and residues. All Swanstone products can be cleaned with warm water, a soft cloth, and normal household detergents or cleansers, such as Fantastic, Formula 409, Clorox Clean-up, Handy Andy, Mr. Clean, or Lestoil. Always rinse off cleaners within five minutes of application.

Occasional scrubbing with household abrasive cleaners ensures that the original luster is maintained.

Caulking Joints

Inspect caulking joints monthly for damage or any signs of separation from the mating surface. Cracks in the caulking will allow water to leak into the surrounding surfaces. **Reapply caulking to any joint showing signs of wear or cracking.** Failure to inspect and repair caulking joints will void the warranty.

Surface Repair

Light Scratches

Use 400 grit sandpaper to remove light scratches in the surface.

Deep Scratches or Gouges

For deeper scratches or gouges, use 220 or 320 grit sandpaper. A "Scotchbright pad" can be used to blend the repair into the surrounding area.

LIMITED WARRANTY FOR RESIDENTIAL APPLICATIONS

If a Swanstone product covered by this warranty is found to be defective in materials or workmanship, after inspection by an authorized Swan Corporation representative, we will repair, or at our option, exchange the product for a similar model. This warranty extends for a designated period of time, so long as it remains in use in its original place of installation.

This warranty covers products installed in accordance with the Swan Corporation's installation instructions, used as recommended, and not damaged due to misuse, abuse, or improper installation. It does not apply to any seams or changes made to the product by professional tradesmen or fabricators.

The warranty applies only to the original purchaser and installation of these products in residential applications. It does not apply to commercial applications.

The Swan Corporation's option to repair or exchange the products under this warranty does not cover any labor or other costs of removal or installation, nor shall the Swan Corporation be responsible for any other incidental or consequential damages attributable to a product defect or to the repair or exchange of a defective product.

Limited Lifetime Warranty

Swanstone Wall Panels, Trim Kits, and Accessories

Swanstone Shower Floors

LIMITED WARRANTY FOR COMMERCIAL APPLICATIONS

If a Swanstone product covered by this warranty is found to be defective in materials or workmanship, after inspection by an authorized Swan Corporation representative, we will repair, or at our option, exchange the product for a similar model. This warranty extends for a designated period of time, so long as it remains in use in its original place of installation.

This warranty covers only products installed in accordance with the Swan Corporation's installation instructions, used as recommended, and not damaged due to misuse, abuse, or improper installation. It does not apply to any seams or changes made to the product by professional tradesmen or fabricators.

The warranty applies only to the original purchaser and installation of these products in commercial applications.

The Swan Corporation's option to repair or exchange the products under this warranty does not cover any labor or other costs of removal or installation, nor shall the Swan Corporation be responsible for any other incidental or consequential damages attributable to a product defect or to the repair or exchange of a defective product.

25-Year Limited Warranty

Swanstone Tub and Shower Wall Panels, Trim Kits, and Accessories

10-Year Limited Warranty

Swanstone Shower Floors

Save these Installation Instructions for future reference. They provide important information on cleaning, maintenance, and surface repair of the Swanstone Wall Systems and Panels.

